

# In-Line Circulator Pump

# TK80

## Applications

- District heating system
- District cooling system
- Air-conditioning system
- Water supply
- Industrial processes
- Industrial cooling
- Pressure boosting system

## Operation conditions

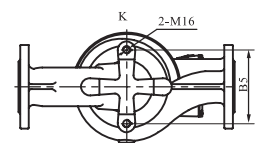
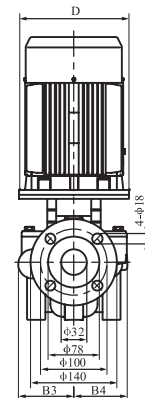
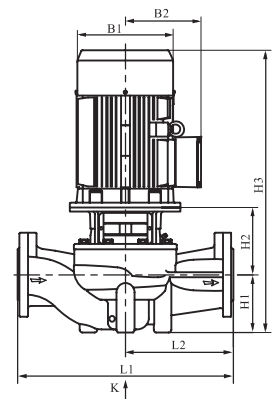
- Liquid temperature:  
normal temperature type:  $-15^{\circ}\text{C}\sim+70^{\circ}\text{C}$   
hot water type:  $-15^{\circ}\text{C}\sim+110^{\circ}\text{C}$
- Ambient temperature: maximum  $+40^{\circ}\text{C}$
- Operation pressure: normal type 12 bar

## Motor

- Fitted with a totally enclosed, fan-cooled, 2-pole motor
- Enclosure class: IP55
- Insulation class: F
- Supply voltage: 50Hz or 60Hz

## Material

- Inlet&outlet chamber:HT200
- Impeller:HT200/ Stainless steel(304)
- Pump head: HT200
- Shaft: Stainless steel(304/316)
- Mechanical seal: Graphite/SIC



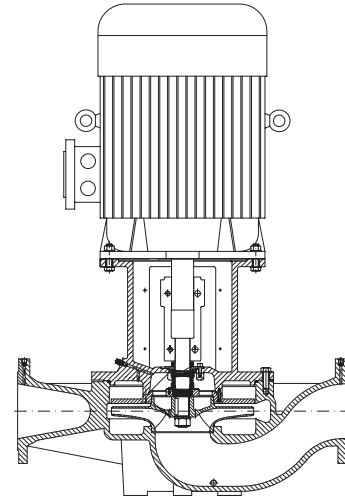
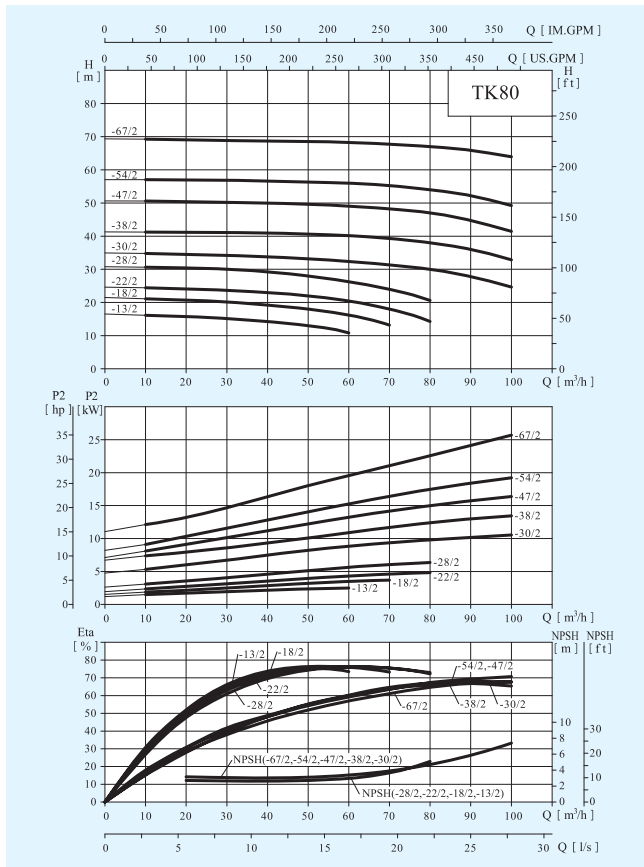
## Performance Table

Model	Associated Motor(kW)	Q (m <sup>3</sup> /h)	10	20	30	40	50	60	70	80	90	100
TK80-13/2	3	H (m)	16.1	15.8	15.2	14.3	13	10.9				
TK80-18/2	4		21.1	20.8	20.2	19.2	18	16.2	13.2			
TK80-22/2	5.5		24.4	24.1	23.7	23	22	20.5	18	14.3		
TK80-28/2	7.5		30.6	30.4	30	29.3	28	26.3	24	20.6		
TK80-30/2	11		34.8	34.5	34.2	33.8	33.2	32.4	31.3	30	27.8	24.7
TK80-38/2	15		41.2	41.2	41.1	40.9	40.6	40.1	39.3	38	36	32.9
TK80-47/2	18.5		50.6	50.4	50	49.8	49.6	49.1	48.3	47	44.8	41.4
TK80-54/2	22		57	57	56.8	56.6	56.3	56	55.3	54	52.2	49.2
TK80-67/2	30		69.2	69	68.8	68.7	68.6	68.3	67.8	67	65.9	63.9

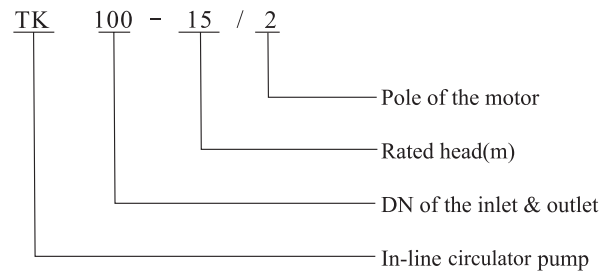
# In-Line Circulator Pump

# TK80

## Performance Curves



**TK**



## Dimension&Weight

Model	Specification[mm]											Net Weight (kg)
	D	B1	B2	B3	B4	B5	H1	H2	H3	L1	L2	
TK80-13/2	160	197	165	142	124	160	97	243	668	450	225	84
TK80-18/2	160	230	188	142	124	160	97	243	668	450	225	91
TK80-22/2	200	260	208	142	124	160	97	263	742	450	225	114
TK80-28/2	200	260	208	142	124	160	97	274	742	450	225	117
TK80-30/2	350	330	255	182	163	144	115	274	894	500	250	194
TK80-38/2	350	330	255	182	163	144	115	274	894	500	250	204
TK80-47/2	350	330	255	182	163	144	115	274	937	500	250	222
TK80-54/2	350	330	255	182	163	144	115	274	969	500	250	258
TK80-67/2	400	400	310	182	163	144	115	274	1044	500	250	319