

In-Line Circulator Pump

TK65(2)

Applications

- District heating system
- District cooling system
- Air-conditioning system
- Water supply
- Industrial processes
- Industrial cooling
- Pressure boosting system

Operation conditions

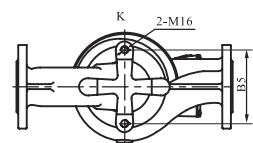
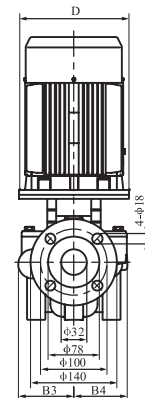
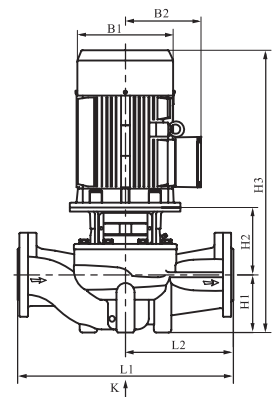
- Liquid temperature:
normal temperature type: $-15^{\circ}\text{C}\sim+70^{\circ}\text{C}$
hot water type: $-15^{\circ}\text{C}\sim+110^{\circ}\text{C}$
- Ambient temperature: maximum $+40^{\circ}\text{C}$
- Operation pressure: normal type 12 bar

Motor

- Fitted with a totally enclosed, fan-cooled, 2-pole motor
- Enclosure class: IP55
- Insulation class: F
- Supply voltage: 50Hz or 60Hz

Material

- Inlet&outlet chamber:HT200
- Impeller:HT200/ Stainless steel(304)
- Pump head: HT200
- Shaft: Stainless steel(304/316)
- Mechanical seal: Graphite/SIC



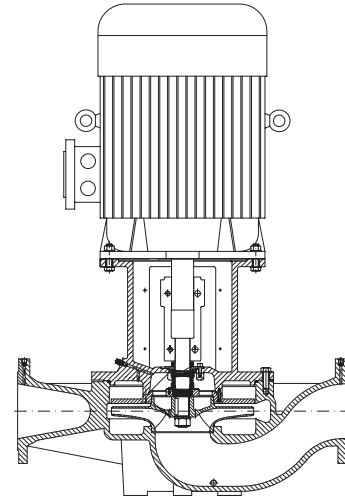
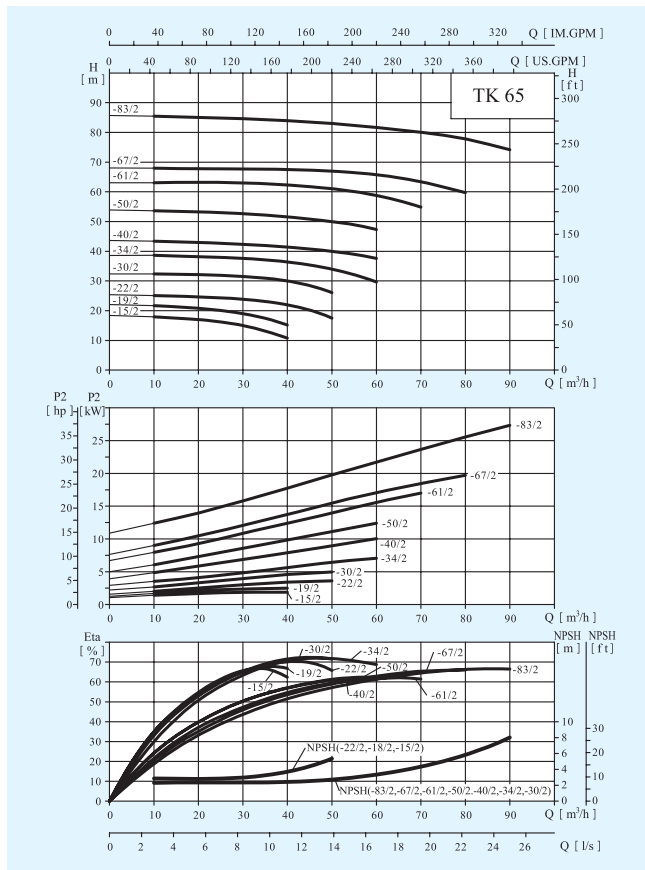
Performance Table

Model	Associated Motor(kW)	Q (m ³ /h)	10	20	30	40	50	60	70	80	90
TK65-15/2	2.2	H (m)	17.9	17	15	10.7					
TK65-19/2	3		21.7	20.8	19	15.2					
TK65-22/2	4		25.1	24.7	23.9	22	17.5				
TK65-30/2	5.5		32.4	32.1	31.5	30	26.1				
TK65-34/2	7.5		38.6	38.2	37.6	36.4	34	29.6			
TK65-40/2	11		43.4	42.9	42.3	41.4	40	37.6			
TK65-50/2	15		53.6	53.3	52.7	51.6	50	47.3			
TK65-61/2	18.5		63.1	63.2	63	62.3	61	58.8	54.8		
TK65-67/2	22		68	67.8	67.7	67.5	67	65.8	63.4	59.7	
TK65-83/2	30		85.4	85.1	84.6	83.9	83	81.7	80	77.8	74.2

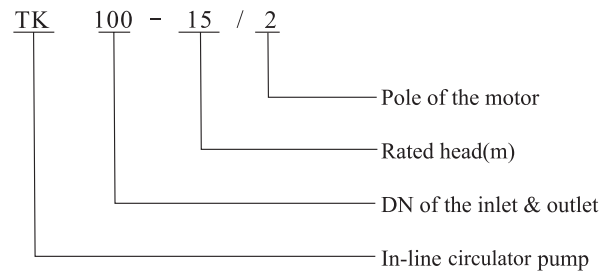
In-Line Circulator Pump

TK65 (2)

Performance Curves



TK



Dimension&Weight

Model	Specification[mm]											Net Weight (kg)
	D	B1	B2	B3	B4	B5	H1	H2	H3	L1	L2	
TK65-15/2	140	190	155	142	124	144	105	193	593	360	180	65
TK65-19/2	160	197	165	142	124	144	105	203	636	360	180	74
TK65-22/2	160	230	188	142	124	144	105	203	636	360	180	81
TK65-30/2	200	260	208	142	124	144	105	223	710	360	180	105
TK65-34/2	200	260	208	142	124	144	105	223	710	360	180	108
TK65-40/2	350	330	255	179	167	144	125	257	887	475	238	183
TK65-50/2	350	330	255	179	167	144	125	257	887	475	238	193
TK65-61/2	350	330	255	179	167	144	125	257	937	475	238	210
TK65-67/2	350	330	255	179	167	144	125	257	962	475	238	248
TK65-83/2	400	400	310	179	167	144	125	257	1037	475	238	309