

In-Line Circulator Pump

TK50

Applications

- District heating system
- District cooling system
- Air-conditioning system
- Water supply
- Industrial processes
- Industrial cooling
- Pressure boosting system

Operation conditions

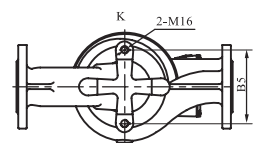
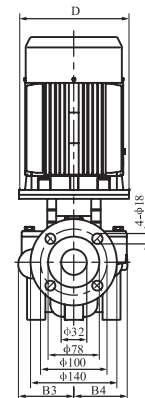
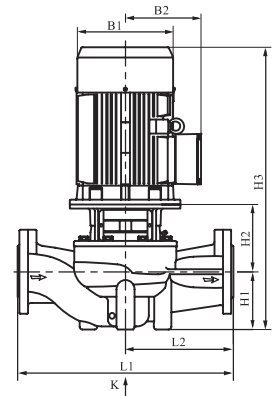
- Liquid temperature:
normal temperature type: $-15^{\circ}\text{C}\sim+70^{\circ}\text{C}$
hot water type: $-15^{\circ}\text{C}\sim+110^{\circ}\text{C}$
- Ambient temperature: maximum $+40^{\circ}\text{C}$
- Operation pressure: normal type 12 bar

Motor

- Fitted with a totally enclosed, fan-cooled, 2-pole motor
- Enclosure class: IP55
- Insulation class: F
- Supply voltage: 50Hz or 60Hz

Material

- Inlet&outlet chamber:HT200
- Impeller:HT200/ Stainless steel(304)
- Pump head: HT200
- Shaft: Stainless steel(304/316)
- Mechanical seal: Graphite/SIC



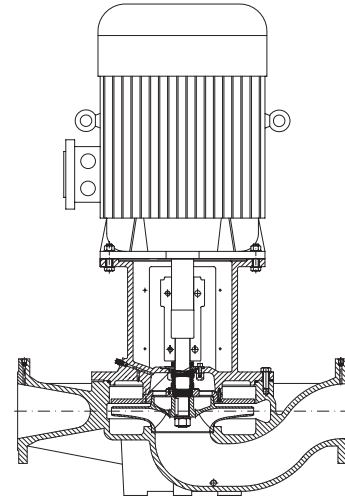
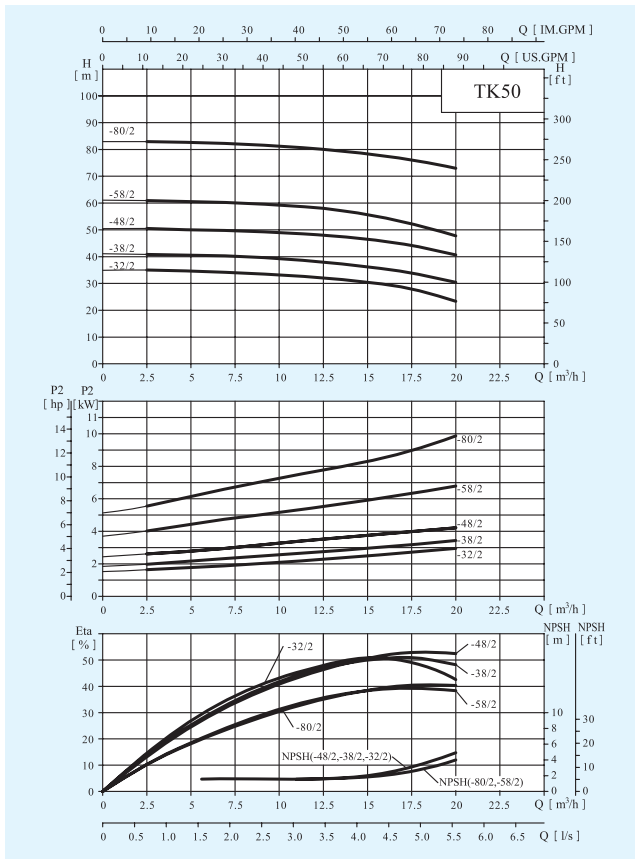
Performance Table

Model	Associated Motor(kW)	Q (m ³ /h)	2.5	5	7.5	10	12.5	15	17.5	20
TK50-32/2	3	H (m)	35	34.6	34	33.2	32	30.5	27.9	23.3
TK50-38/2	4		40.8	40.6	40.2	39.2	38	36.2	33.9	30.4
TK50-48/2	5.5		50.5	50	49.7	49	48	46.5	44.2	40.7
TK50-58/2	7.5		61	60.6	60.1	59.2	58	55.7	52.2	47.8
TK50-80/2	11		82.9	82.6	82.2	81.2	80	78.4	76.1	73

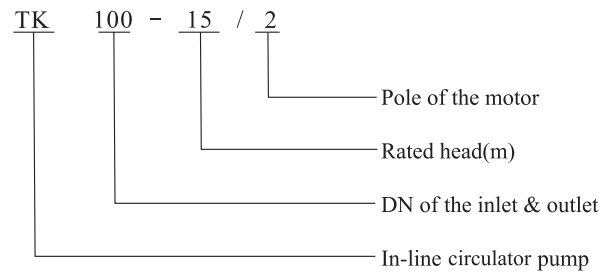
In-Line Circulator Pump

TK50

Performance Curves



TK



Dimension&Weight

Model	Specification[mm]											Net Weight (kg)
	D	B1	B2	B3	B4	B5	H1	H2	H3	L1	L2	
TK50-32/2	160	197	165	128	128	144	105	181	614	400	200	65
TK50-38/2	160	230	188	128	128	144	105	181	614	400	200	71
TK50-48/2	200	260	208	128	128	144	105	201	688	400	200	85