

In-Line Circulator Pump

TK50 (2)

Applications

- District heating system
- District cooling system
- Air-conditioning system
- Water supply
- Industrial processes
- Industrial cooling
- Pressure boosting system

Operation conditions

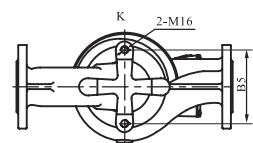
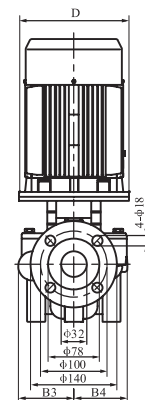
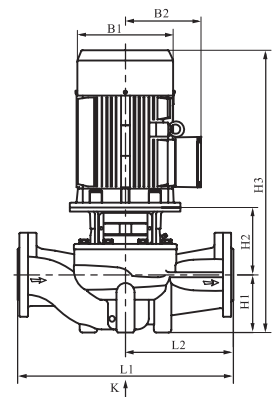
- Liquid temperature:
normal temperature type: $-15^{\circ}\text{C}\sim+70^{\circ}\text{C}$
hot water type: $-15^{\circ}\text{C}\sim+110^{\circ}\text{C}$
- Ambient temperature: maximum $+40^{\circ}\text{C}$
- Operation pressure: normal type 12 bar

Motor

- Fitted with a totally enclosed, fan-cooled, 2-pole motor
- Enclosure class: IP55
- Insulation class: F
- Supply voltage: 50Hz or 60Hz

Material

- Inlet&outlet chamber:HT200
- Impeller:HT200/ Stainless steel(304)
- Pump head: HT200
- Shaft: Stainless steel(304/316)
- Mechanical seal: Graphite/SIC



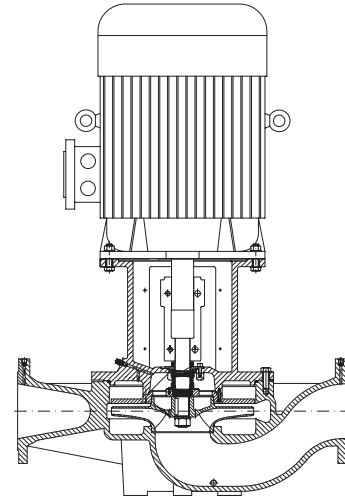
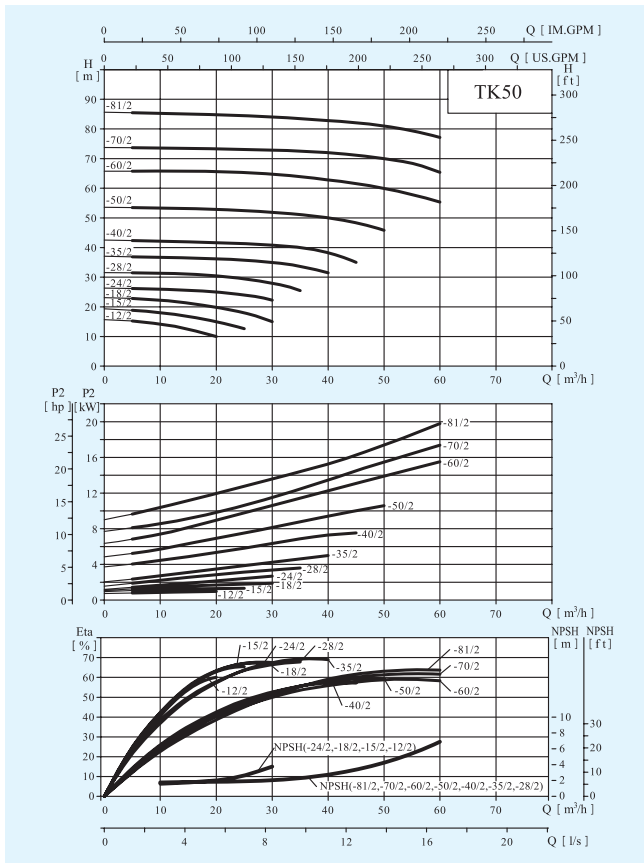
Performance Table

| Model | Associated Motor(kW) | Q (m ³ /h) | 5 | 10 | 16 | 20 | 25 | 30 | 35 | 40 | 45 | 50 | 60 |
|-----------|----------------------|-----------------------|------|------|------|------|------|------|------|------|------|------|------|
| TK50-12/2 | 1.1 | H (m) | 15.2 | 14.2 | 12 | 10 | | | | | | | |
| TK50-15/2 | 1.5 | | 18.9 | 18 | 16.5 | 15 | 12.6 | | | | | | |
| TK50-18/2 | 2.2 | | 22.8 | 22.3 | 21 | 19.8 | 18 | 15 | | | | | |
| TK50-24/2 | 3 | | 26.2 | 26 | 25.5 | 25 | 24 | 22.3 | | | | | |
| TK50-28/2 | 4 | | 31.5 | 31.3 | 31 | 30.5 | 29.5 | 28 | 25.5 | | | | |
| TK50-35/2 | 5.5 | | 36.9 | 36.7 | 36.5 | 36.2 | 35.8 | 35 | 33.7 | 31.5 | | | |
| TK50-40/2 | 7.5 | | 42.3 | 42.2 | 41.9 | 41.7 | 41.3 | 40.8 | 40 | 38.3 | 35 | | |
| TK50-50/2 | 11 | | 53.5 | 53.4 | 53.1 | 52.9 | 52.5 | 51.9 | 51.1 | 50 | 48.4 | 45.8 | |
| TK50-60/2 | 15 | | 65.7 | 65.8 | 65.7 | 65.6 | 65.3 | 64.7 | 63.9 | 62.8 | 61.6 | 60 | 55.4 |
| TK50-70/2 | 18.5 | | 73.7 | 73.6 | 73.4 | 73.3 | 73.1 | 72.9 | 72.5 | 72 | 71.2 | 70 | 65.4 |
| TK50-81/2 | 22 | | 85.5 | 85.3 | 85 | 84.8 | 84.5 | 84 | 83.5 | 82.8 | 82.1 | 81 | 77.1 |

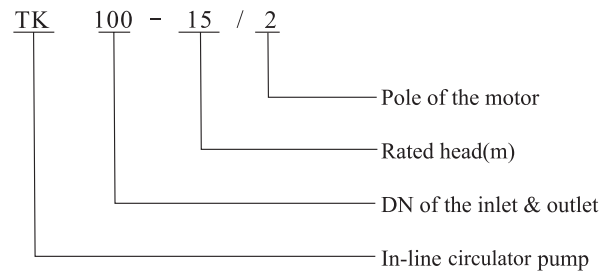
In-Line Circulator Pump

TK50 (2)

Performance Curves



TK



Dimension&Weight

| Model | Specification[mm] | | | | | | | | | | | Net Weight (kg) |
|------------|-------------------|-----|-----|-----|-----|-----|-----|-----|-----|-----|-----|-----------------|
| | D | B1 | B2 | B3 | B4 | B5 | H1 | H2 | H3 | L1 | L2 | |
| TK 50-12/2 | 120 | 170 | 142 | 117 | 115 | 144 | 115 | 174 | 539 | 340 | 170 | 56 |
| TK 50-15/2 | 140 | 190 | 155 | 117 | 115 | 144 | 115 | 174 | 574 | 340 | 170 | 62 |
| TK 50-18/2 | 140 | 190 | 155 | 117 | 115 | 144 | 115 | 174 | 574 | 340 | 170 | 65 |
| TK 50-24/2 | 160 | 197 | 165 | 117 | 115 | 144 | 115 | 198 | 641 | 340 | 170 | 74 |
| TK 50-28/2 | 160 | 230 | 188 | 129 | 115 | 144 | 115 | 198 | 641 | 340 | 170 | 79 |
| TK 50-35/2 | 200 | 260 | 208 | 129 | 115 | 144 | 115 | 218 | 715 | 340 | 170 | 103 |
| TK 50-40/2 | 200 | 260 | 208 | 171 | 158 | 144 | 115 | 215 | 712 | 440 | 220 | 118 |
| TK 50-50/2 | 350 | 330 | 255 | 171 | 158 | 144 | 115 | 245 | 865 | 440 | 220 | 181 |
| TK 50-60/2 | 350 | 330 | 255 | 171 | 158 | 144 | 115 | 245 | 865 | 440 | 220 | 191 |
| TK 50-70/2 | 350 | 330 | 255 | 171 | 158 | 144 | 115 | 245 | 909 | 440 | 220 | 209 |
| TK 50-81/2 | 350 | 360 | 285 | 171 | 158 | 144 | 115 | 245 | 940 | 440 | 220 | 245 |