

In-Line Circulator Pump

TK40

Applications

- District heating system
- District cooling system
- Air-conditioning system
- Water supply
- Industrial processes
- Industrial cooling
- Pressure boosting system

Operation conditions

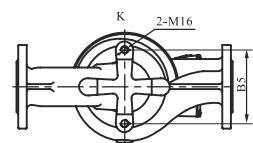
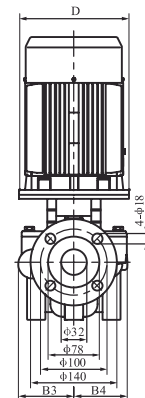
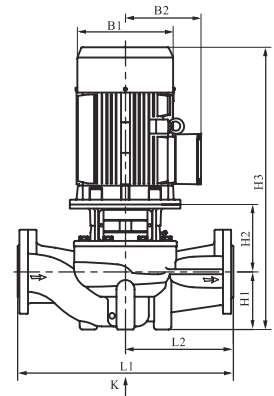
- Liquid temperature:
normal temperature type: $-15^{\circ}\text{C}\sim+70^{\circ}\text{C}$
hot water type: $-15^{\circ}\text{C}\sim+110^{\circ}\text{C}$
- Ambient temperature: maximum $+40^{\circ}\text{C}$
- Operation pressure: normal type 12 bar

Motor

- Fitted with a totally enclosed, fan-cooled, 2-pole motor
- Enclosure class: IP55
- Insulation class: F
- Supply voltage: 50Hz or 60Hz

Material

- Inlet&outlet chamber:HT200
- Impeller:HT200/ Stainless steel(304)
- Pump head: HT200
- Shaft: Stainless steel(304/316)
- Mechanical seal: Graphite/SIC



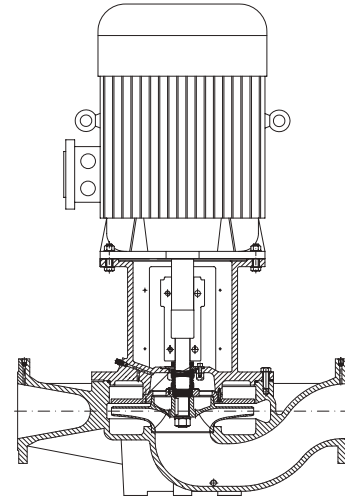
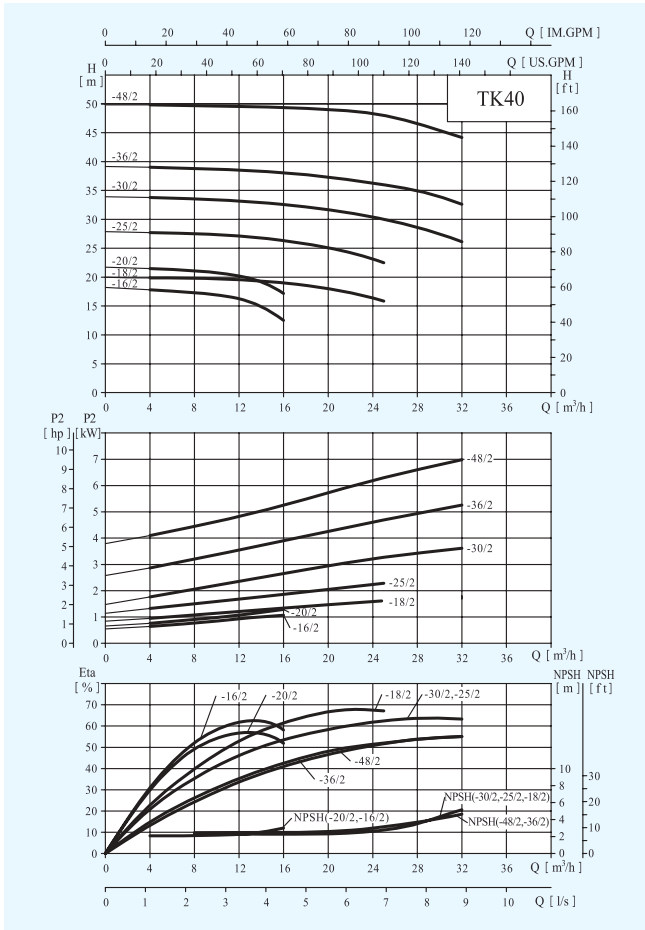
Performance Table

Model	Associated Motor(kW)	Q (m ³ /h)	4	8	12.5	16	20	25	28	32
TK40-16/2	1.1	H (m)	17.8	17.3	16	12.5				
TK40-20/2	1.5		21.5	21.1	20	17.2				
TK40-18/2	2.2		19.9	19.8	19.5	19	18	15.8		
TK40-25/2	3		27.7	27.5	27.1	26.4	25	22.5		
TK40-30/2	4		33.8	33.6	33.1	32.6	31.7	30	28.6	26.1
TK40-36/2	5.5		39	38.8	38.5	38.1	37.3	36	35	32.6
TK40-48/2	7.5		49.8	49.7	49.5	49.4	49	48	46.6	44.2

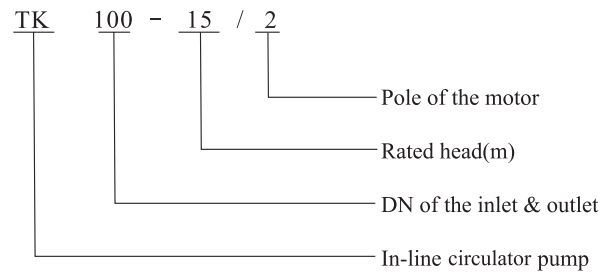
In-Line Circulator Pump

TK40

Performance Curves



TK



Dimension&Weight

Model	Specification[mm]											Net Weight (kg)
	D	B1	B2	B3	B4	B5	H1	H2	H3	L1	L2	
TK40-16/2	120	170	142	97	96	120	68	178	516	320	160	40
TK40-20/2	140	190	155	97	96	120	68	188	531	320	160	46
TK40-18/2	140	190	155	110	95	144	100	195	590	340	170	53
TK40-25/2	160	197	165	127	115	144	100	207	635	340	170	70
TK40-30/2	160	230	188	127	115	144	100	207	635	340	170	77
TK40-36/2	200	260	208	138	125	144	110	227	719	440	220	106
TK40-48/2	200	260	208	138	125	144	110	227	719	440	220	110