

In-Line Circulator Pump

TK32

Applications

- District heating system
- District cooling system
- Air-conditioning system
- Water supply
- Industrial processes
- Industrial cooling
- Pressure boosting system

Operation conditions

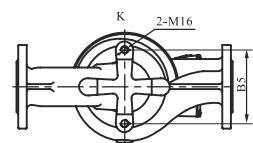
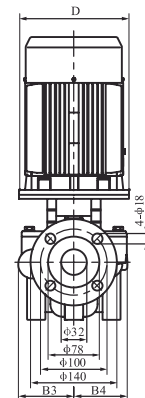
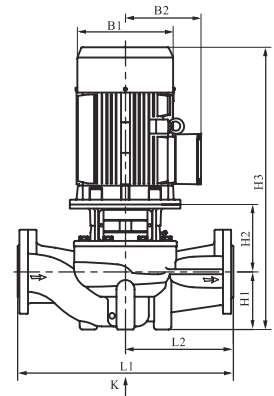
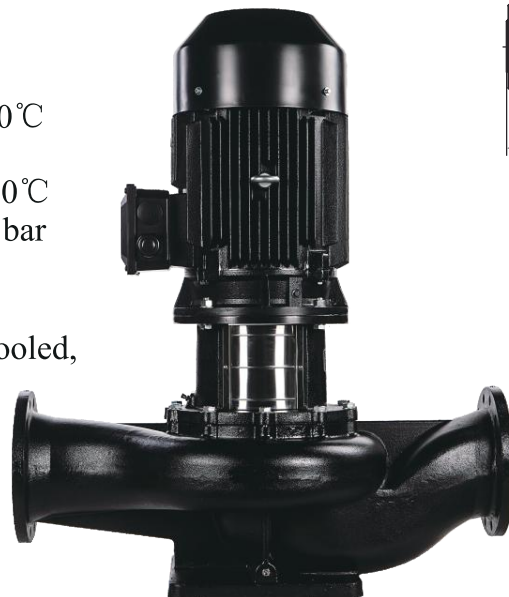
- Liquid temperature:
normal temperature type: $-15^{\circ}\text{C}\sim+70^{\circ}\text{C}$
hot water type: $-15^{\circ}\text{C}\sim+110^{\circ}\text{C}$
- Ambient temperature: maximum $+40^{\circ}\text{C}$
- Operation pressure: normal type 12 bar

Motor

- Fitted with a totally enclosed, fan-cooled, 2-pole motor
- Enclosure class: IP55
- Insulation class: F
- Supply voltage: 50Hz or 60Hz

Material

- Inlet&outlet chamber:HT200
- Impeller:HT200/ Stainless steel(304)
- Pump head: HT200
- Shaft: Stainless steel(304/316)
- Mechanical seal: Graphite/SIC



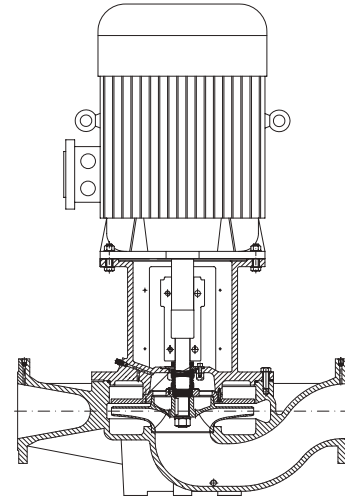
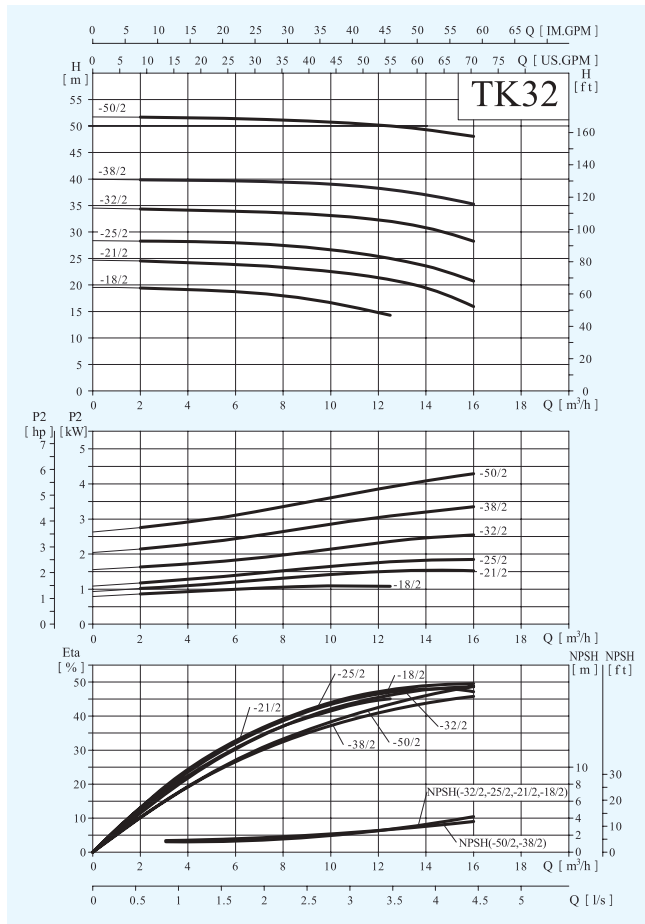
Performance Table

Model	Associated Motor(kW)	Q (m ³ /h)	2	4	6	8	10	12.5	14	16
TK 32-18/2	1.1	H (m)	19.4	19.1	18.7	18	16.7	14.3		
TK 32-21/2	1.5		24.5	24.2	23.9	23.3	22.5	21	19.4	15.9
TK 32-25/2	2.2		28.3	28.2	28	27.5	26.7	25	23.6	20.7
TK 32-32/2	3		34.3	34.2	33.9	33.6	33.1	32	30.8	28.2
TK 32-38/2	4		39.8	39.8	39.7	39.4	39	38	37	35.2
TK 32-50/2	5.5		51.7	51.6	51.4	51.1	50.7	50	49.3	48

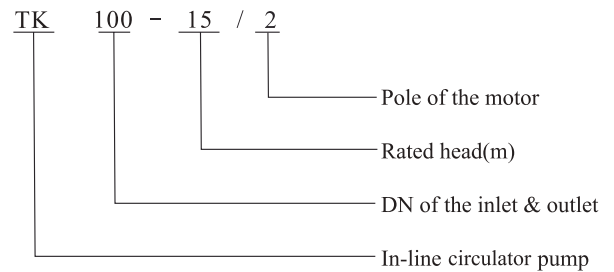
In-Line Circulator Pump

TK32

Performance Curves



TK



Dimension&Weight

Model	Specification[mm]											Net Weight (kg)
	D	B1	B2	B3	B4	B5	H1	H2	H3	L1	L2	
TK32-18/2	120	170	142	125	117	144	100	189	559	340	170	50
TK32-21/2	140	190	155	125	117	144	100	199	574	340	170	56
TK32-25/2	140	190	155	125	117	144	100	199	574	340	170	59
TK32-32/2	160	197	165	125	117	144	100	205	633	340	170	68
TK32-38/2	160	230	188	144	144	144	100	207	635	440	220	79
TK32-50/2	200	260	208	144	144	144	100	227	709	440	220	104