

# In-Line Circulator Pump

# TK250

## Applications

- District heating system
- District cooling system
- Air-conditioning system
- Water supply
- Industrial processes
- Industrial cooling
- Pressure boosting system

## Operation conditions

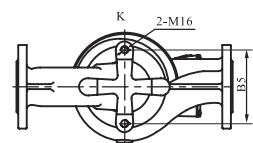
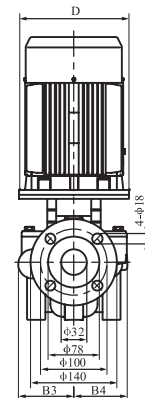
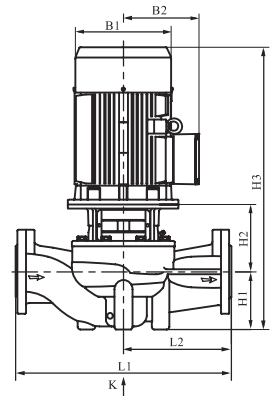
- Liquid temperature:  
normal temperature type:  $-15^{\circ}\text{C}\sim+70^{\circ}\text{C}$   
hot water type:  $-15^{\circ}\text{C}\sim+110^{\circ}\text{C}$
- Ambient temperature: maximum  $+40^{\circ}\text{C}$
- Operation pressure: normal type 12 bar

## Motor

- Fitted with a totally enclosed, fan-cooled, 2-pole motor
- Enclosure class: IP55
- Insulation class: F
- Supply voltage: 50Hz or 60Hz

## Material

- Inlet&outlet chamber:HT200
- Impeller:HT200/ Stainless steel(304)
- Pump head: HT200
- Shaft: Stainless steel(304/316)
- Mechanical seal: Graphite/SIC



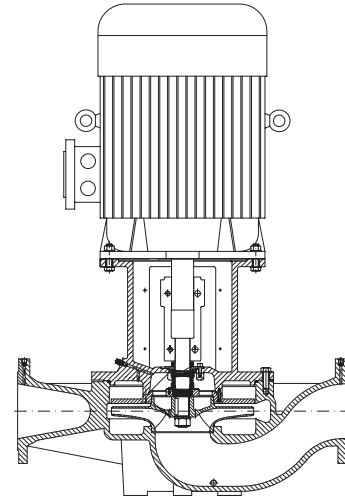
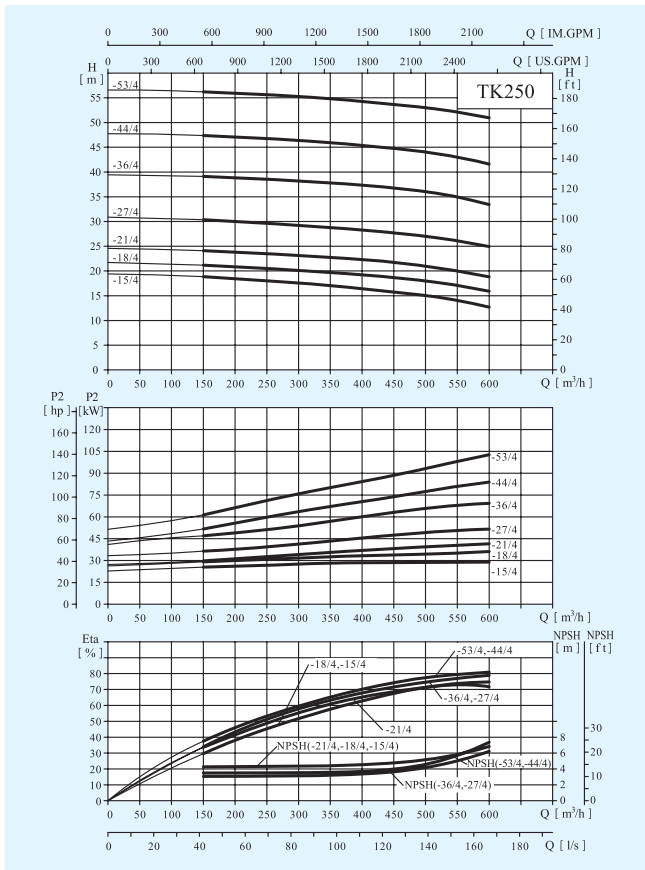
## Performance Table

Model	Associated Motor(kW)	Q (m <sup>3</sup> /h)	150	200	250	300	350	400	450	500	550	600
TK250-15/4	30	H (m)	18.8	18.4	18	17.6	17.1	16.4	15.8	15	14.1	12.7
TK250-18/4	37		21.2	20.9	20.5	20.1	19.7	19.2	18.7	18	17.1	15.9
TK250-21/4	45		24.1	23.8	23.5	23.1	22.8	22.3	21.8	21	20	18.8
TK250-27/4	55		30.3	30	29.6	29.2	28.8	28.3	27.7	27	26.1	24.9
TK250-36/4	75		39.1	38.8	38.5	38.2	37.8	37.3	36.8	36	35	33.4
TK250-44/4	90		47.4	47.1	46.8	46.4	45.9	45.4	44.8	44	43	41.6
TK250-53/4	110		56.2	55.9	55.6	55.3	54.8	54.3	53.7	53	52.1	50.9

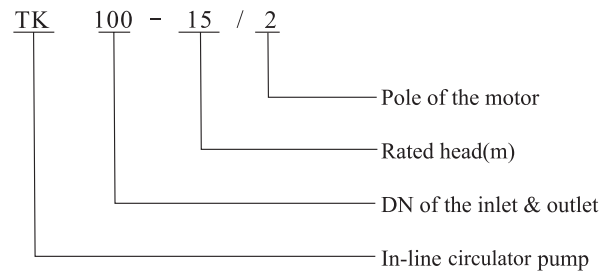
# In-Line Circulator Pump

# TK250

## Performance Curves



**TK**



## Dimension&Weight

Model	Specification[mm]											Net Weight (kg)
	D	B1	B2	B3	B4	B5	H1	H2	H3	L1	L2	
TK250-15/4	400	400	305	316	243	390	300	393	1363	1100	550	553
TK250-18/4	450	450	335	316	243	390	300	423	1433	1100	550	614
TK250-21/4	450	450	335	316	243	390	300	423	1433	1100	550	650
TK250-27/4	550	490	365	329	264	440	300	438	1566	1100	550	780
TK250-36/4	550	550	400	329	264	440	300	438	1566	1100	550	909
TK250-44/4	550	550	400	347	292	440	305	461	1616	1200	600	1032
TK250-53/4	660	625	555	347	292	440	305	461	1806	1200	600	1391