

In-Line Circulator Pump

TK250

Applications

- District heating system
- District cooling system
- Air-conditioning system
- Water supply
- Industrial processes
- Industrial cooling
- Pressure boosting system

Operation conditions

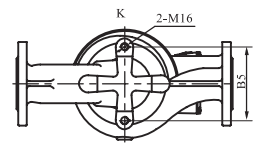
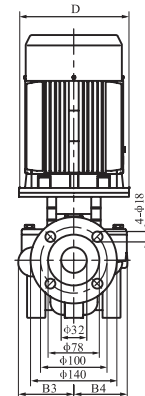
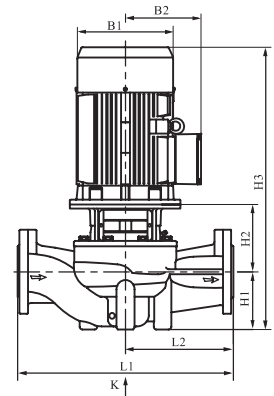
- Liquid temperature:
normal temperature type: $-15^{\circ}\text{C}\sim+70^{\circ}\text{C}$
hot water type: $-15^{\circ}\text{C}\sim+110^{\circ}\text{C}$
- Ambient temperature: maximum $+40^{\circ}\text{C}$
- Operation pressure: normal type 12 bar

Motor

- Fitted with a totally enclosed, fan-cooled, 2-pole motor
- Enclosure class: IP55
- Insulation class: F
- Supply voltage: 50Hz or 60Hz

Material

- Inlet&outlet chamber:HT200
- Impeller:HT200/ Stainless steel(304)
- Pump head: HT200
- Shaft: Stainless steel(304/316)
- Mechanical seal: Graphite/SIC



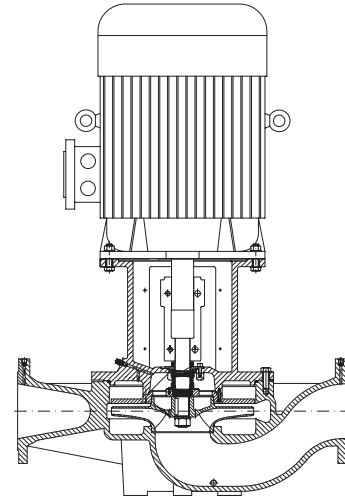
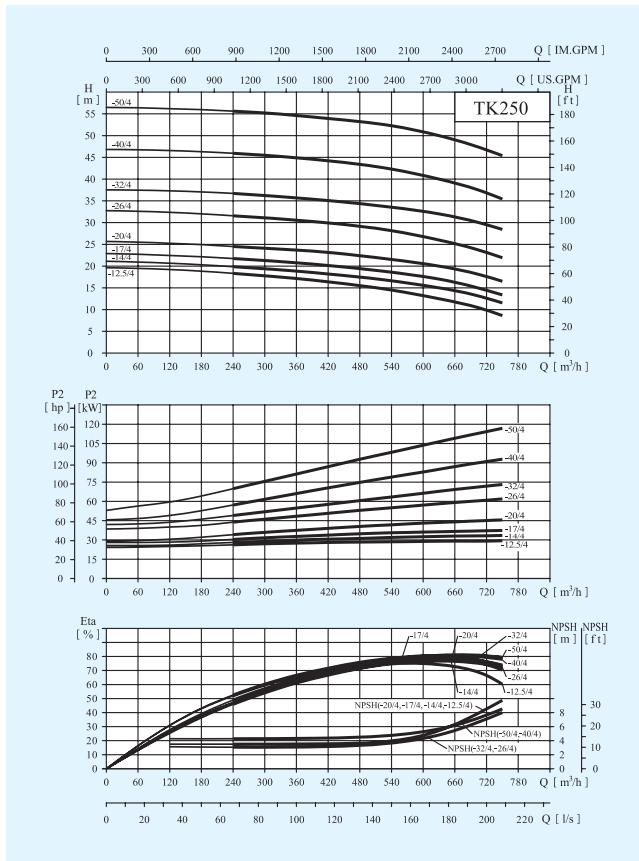
Performance Table

Model	Associated Motor(kW)	Q (m ³ /h)	240	300	360	420	480	540	600	630	660	720	750
TK250-12.5/4	30	H (m)	18.4	17.9	17.2	16.4	15.5	14.5	13.2	12.5	11.8	9.9	8.7
TK250-14/4	37		20	19.5	18.9	18.2	17.5	16.6	15.6	14	13.4	12.6	11.6
TK250-17/4	45		21.8	21.3	20.8	20.1	19.4	18.6	17.6	17	16.3	14.4	13.4
TK250-20/4	55		24.5	24.1	23.7	23.1	22.4	21.5	20.5	20	19.3	17.6	16.5
TK250-26/4	75		31.7	31.1	30.6	29.9	29.1	28.2	26.8	26	25.2	23.1	21.9
TK250-32/4	90		36.7	36.3	35.7	35.1	34.3	33.5	32.6	32	31.3	29.5	28.4
TK250-40/4	110		46	45.5	44.9	44.2	43.4	42.3	40.8	40	39.1	36.8	35.5
TK250-50/4	132		55.6	55.2	54.6	53.9	53.2	52.3	50.9	50	49	46.7	45.4

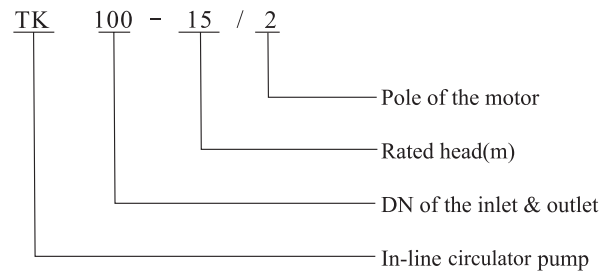
In-Line Circulator Pump

TK250

Performance Curves



TK



Dimension&Weight

Model	Specification[mm]											Net Weight (kg)
	D	B1	B2	B3	B4	B5	H1	H2	H3	L1	L2	
TK250-12.5/4	400	400	305	316	243	390	300	393	1363	1100	550	552
TK250-14/4	450	450	335	316	243	390	300	423	1433	1100	550	613
TK250-17/4	450	450	335	316	243	390	300	423	1433	1100	550	649
TK250-20/4	550	490	365	316	243	390	300	423	1498	1100	550	722
TK250-26/4	550	550	400	329	264	440	300	438	1566	1100	550	909
TK250-32/4	550	550	400	329	264	440	300	438	1618	1100	550	999
TK250-40/4	660	625	555	347	292	440	305	461	1806	1200	600	1389
TK250-50/4	660	625	555	347	292	440	305	461	1916	1200	600	1473