

In-Line Circulator Pump

TK200

Applications

- District heating system
- District cooling system
- Air-conditioning system
- Water supply
- Industrial processes
- Industrial cooling
- Pressure boosting system

Operation conditions

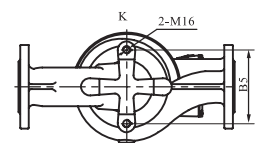
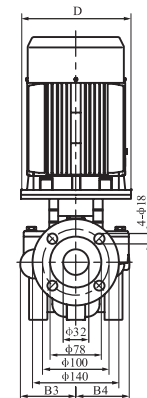
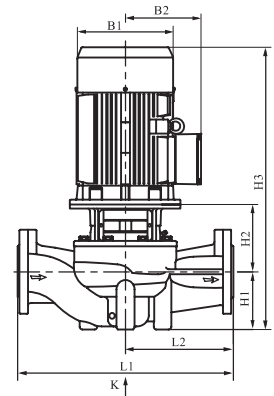
- Liquid temperature:
normal temperature type: $-15^{\circ}\text{C}\sim+70^{\circ}\text{C}$
hot water type: $-15^{\circ}\text{C}\sim+110^{\circ}\text{C}$
- Ambient temperature: maximum $+40^{\circ}\text{C}$
- Operation pressure: normal type 12 bar

Motor

- Fitted with a totally enclosed, fan-cooled, 2-pole motor
- Enclosure class: IP55
- Insulation class: F
- Supply voltage: 50Hz or 60Hz

Material

- Inlet&outlet chamber:HT200
- Impeller:HT200/ Stainless steel(304)
- Pump head: HT200
- Shaft: Stainless steel(304/316)
- Mechanical seal: Graphite/SIC



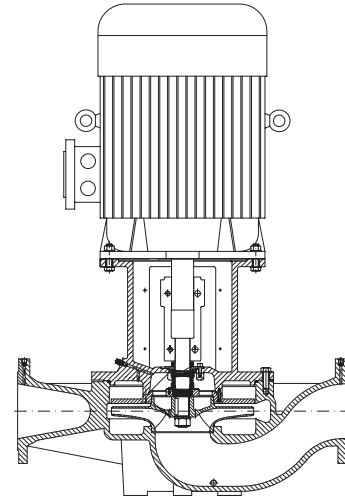
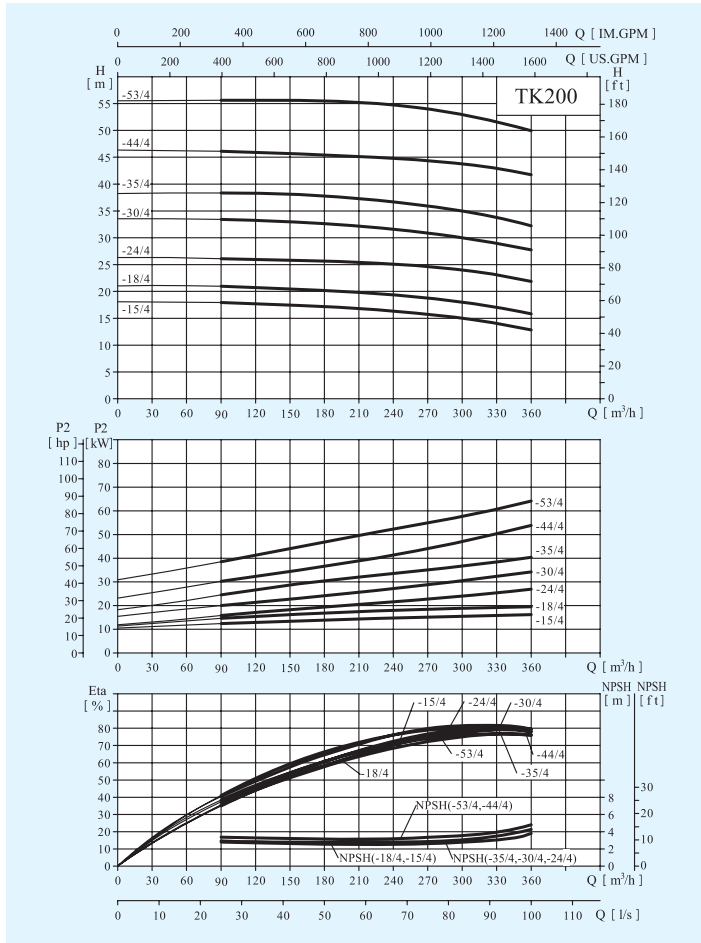
Performance Table

Model	Associated Motor(kW)	Q (m ³ /h)	90	120	150	180	210	240	270	300	330	360
TK200-15/4	18.5	H (m)	18	17.7	17.5	17.2	16.8	16.4	15.8	15	14.1	12.9
TK200-18/4	22		21	20.7	20.5	20.2	19.8	19.4	18.8	18	17.1	15.8
TK200-24/4	30		26.1	26	25.8	25.7	25.4	25.1	24.6	24	23.1	21.9
TK200-30/4	37		33.4	33.2	33	32.6	32.2	31.6	30.9	30	29	27.7
TK200-35/4	45		38.3	38.3	38.1	37.8	37.3	36.7	35.9	35	33.8	32.2
TK200-44/4	55		46.3	46.1	45.9	45.6	45.4	45	44.6	44	43.1	41.9
TK200-53/4	75		55.7	55.7	55.7	55.5	55.3	54.8	54	53	51.6	50

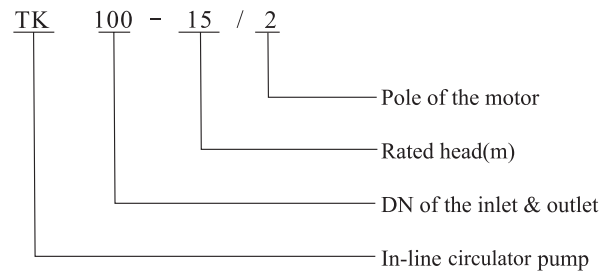
In-Line Circulator Pump

TK200

Performance Curves



TK



Dimension&Weight

Model	Specification[mm]											Net Weight (kg)
	D	B1	B2	B3	B4	B5	H1	H2	H3	L1	L2	
TK200-15/4	350	360	280	278	219	360	270	343	1193	1000	500	418
TK200-18/4	350	360	280	278	219	360	270	343	1233	1000	500	435
TK200-24/4	400	400	305	303	252	360	270	343	1283	1100	550	537
TK200-30/4	450	450	335	303	252	360	270	373	1328	1100	550	603
TK200-35/4	450	450	335	303	252	360	270	373	1353	1100	550	649
TK200-44/4	550	490	365	315	269	360	270	388	1431	1100	550	751
TK200-53/4	550	550	400	315	269	360	270	388	1486	1100	550	884