

In-Line Circulator Pump

TK150

Applications

- District heating system
- District cooling system
- Air-conditioning system
- Water supply
- Industrial processes
- Industrial cooling
- Pressure boosting system

Operation conditions

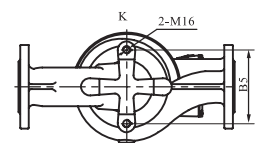
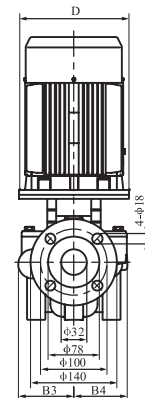
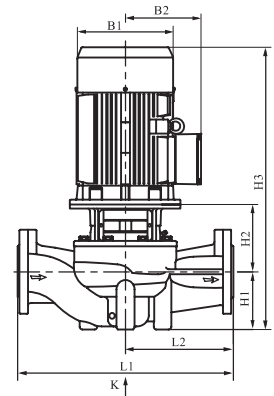
- Liquid temperature:
normal temperature type: $-15^{\circ}\text{C}\sim+70^{\circ}\text{C}$
hot water type: $-15^{\circ}\text{C}\sim+110^{\circ}\text{C}$
- Ambient temperature: maximum $+40^{\circ}\text{C}$
- Operation pressure: normal type 12 bar

Motor

- Fitted with a totally enclosed, fan-cooled, 2-pole motor
- Enclosure class: IP55
- Insulation class: F
- Supply voltage: 50Hz or 60Hz

Material

- Inlet&outlet chamber:HT200
- Impeller:HT200/ Stainless steel(304)
- Pump head: HT200
- Shaft: Stainless steel(304/316)
- Mechanical seal: Graphite/SIC



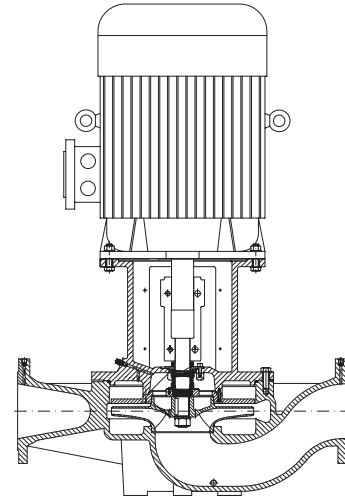
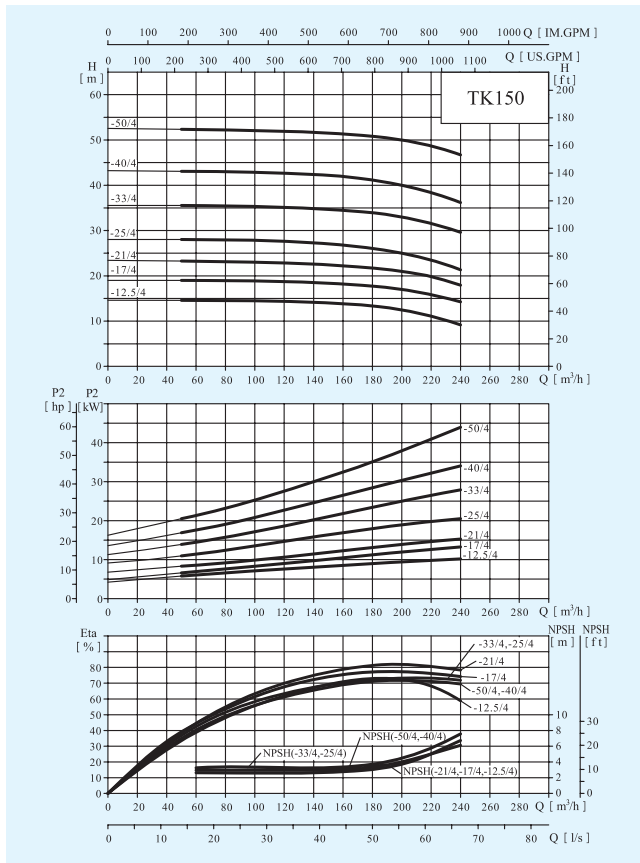
Performance Table

Model	Associated Motor(kW)	Q (m ³ /h)	50	80	110	140	170	200	220	240
TK150-12.5/4	11	H (m)	14.6	14.5	14.4	14.2	13.7	12.5	11.1	9.2
TK150-17/4	15		18.8	18.8	18.7	18.5	18	17	16.1	15
TK150-21/4	18.5		23.3	23.1	22.9	22.6	22	21	19.8	17.9
TK150-25/4	22		28	28	27.8	27.3	26.5	25	23.5	21.3
TK150-33/4	30		35.5	35.4	35.2	34.8	34.2	33	31.5	29.6
TK150-40/4	37		43.1	43	42.8	42.4	41.6	40	38.4	36.2
TK150-50/4	45		52.4	52.2	52	51.7	51.1	50	48.7	46.7

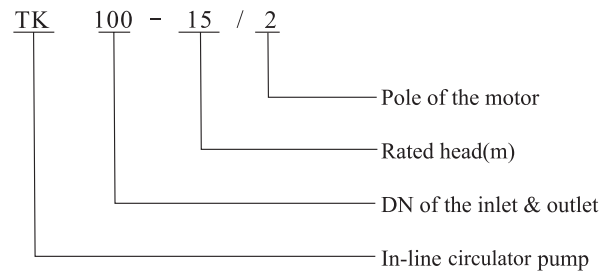
In-Line Circulator Pump

TK150

Performance Curves



TK



Dimension&Weight

Model	Specification[mm]											Net Weight (kg)
	D	B1	B2	B3	B4	B5	H1	H2	H3	L1	L2	
TK150-12.5/4	350	315	250	217	180	230	215	293	1012	800	400	257(271)
TK150-17/4	350	315	250	217	180	230	215	293	1056	800	400	278(291)
TK150-21/4	350	360	275	217	180	230	215	293	1088	800	400	313(325)
TK150-25/4	350	360	275	238	208	230	215	293	1108	800	400	354(373)
TK150-33/4	400	400	305	238	208	230	215	293	1178	800	400	406(425)
TK150-40/4	450	450	325	267	248	230	230	323	1233	900	450	511(537)
TK150-50/4	450	450	325	267	248	230	230	323	1258	90	450	548(573)