

# Stainless Steel Vertical Multistage Pump — SVM(T)90

## Applications

- Water supply
- Industry pressure boosting
- Industry liquid transfer
- Water treatment
- Irrigation

## Motor

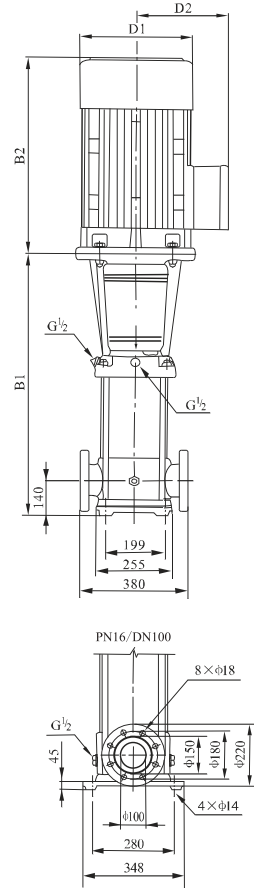
- Totally enclosed, air-cooled secondary standard motor
- Degree of protection: IP 55
- Insulation class: F
- Standard voltage: 1x220-230/240V (50Hz)
  - 3x200-220/346-380V
  - 3x220-240/380-415V
  - 3x220-255/380-440V
- Other voltage of the motor is available on request.
- Single phase motors from 0.37kW-2.2kW are available on request

## Operation conditions

- Thin, clean, non-flammable and explosive and not containing solid particles or fibers liquid.
- Liquid Temperature:
  - Normal temperature: +15°C~+70°C
  - Hot water: -15°C~+105°C
- Environment Temperature: Max. 40°C
- Altitude: Max. 1000m

## Material

- Inlet & outlet chamber: Cast iron/Stainless steel (304/316)
- Impeller: Stainless steel (304/316)
- Shell: Stainless steel (304/316)
- Shaft: Stainless steel (304/316)
- Coupling: Ductile iron
- Bearing: Tungsten carbide
- Mechanical seal: Tungsten Carbide / Graphite

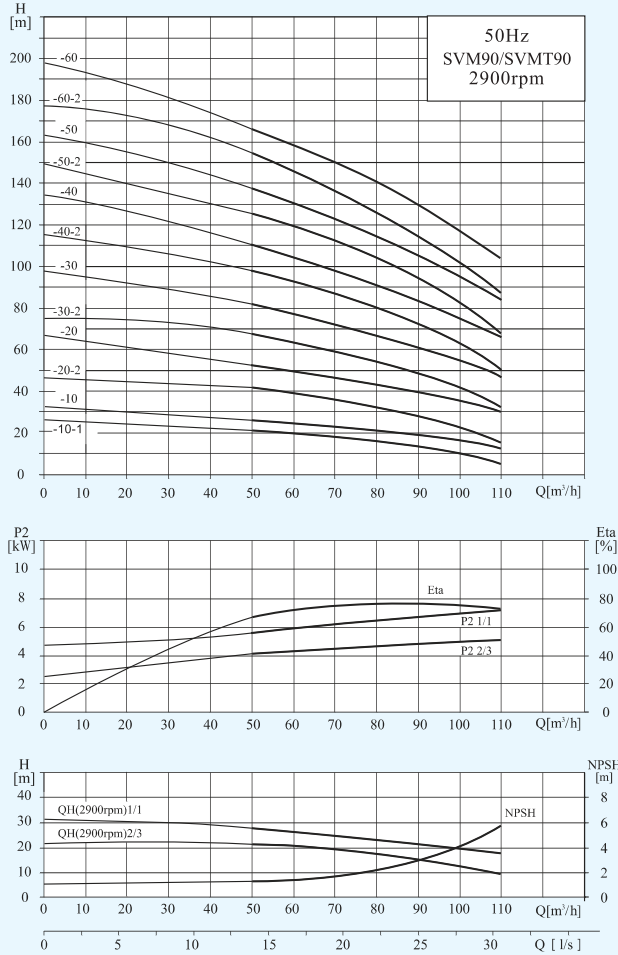


## Performance Table

Model	Associated motor(kW)	Q (m <sup>3</sup> /h)	50	60	70	80	90	100	110
SVM90-10-1	5.5	H (m)	22	19	17	16	13	10	6
SVM90-10	7.5		25	24	22	21	19	16	12
SVM90-20-2	11		41	39	36	32	28	22	15
SVM90-20	15		53	50	47	44	40	36	30
SVM90-30-2	18.5		68	65	60	55	49	41	32
SVM90-30	22		81	77	72	67	62	55	48
SVM90-40-2	26		98	93	87	80	72	62	50
SVM90-40	30		110	105	100	92	84	76	66
SVM90-50-2	37		126	120	113	104	93	81	68
SVM90-50	37		139	131	124	115	106	94	83
SVM90-60-2	45		155	148	139	129	117	102	86
SVM90-60	45		168	160	150	141	130	117	103

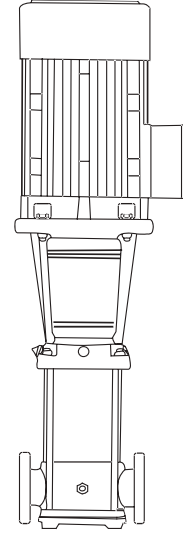
# Stainless Steel Vertical Multistage Pump — SVM(T)90

## Performance Curves

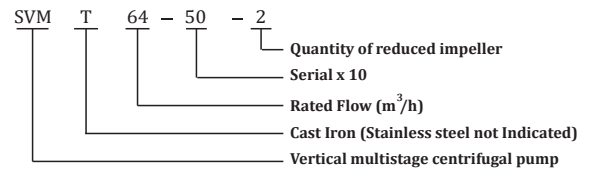


## Model Description

SVM(T)32/45/64/90/120/150



**SVM/SVMT**

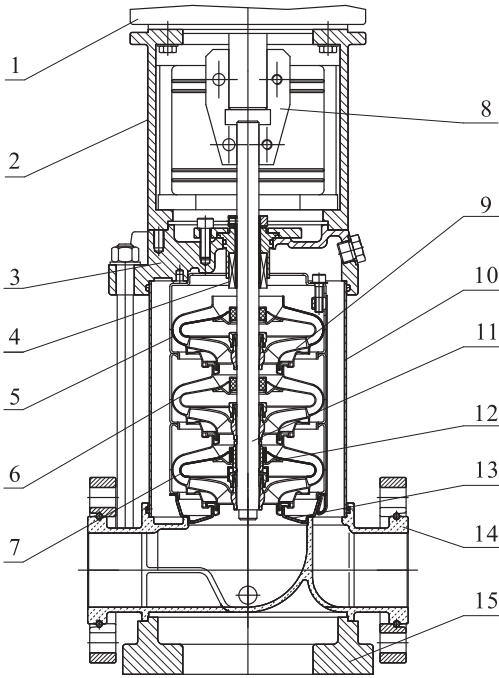


## Dimension & Weight

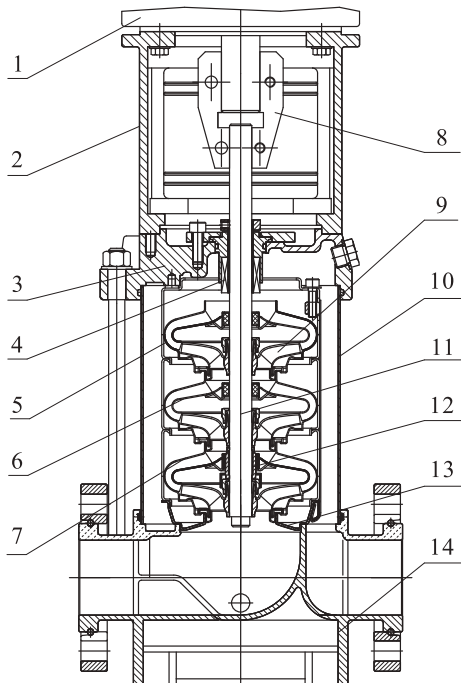
Model	Size (mm)					Net Weight (kg)
	B1	B2	B1+B2	D1	D2	
SVM90-10-1	571	390	961	260	208	105
SVM90-10	571	390	961	260	208	110
SVM90-20-2	773	500	1273	330	255	181
SVM90-20	773	500	1273	330	255	192
SVM90-30-2	865	550	1415	330	255	215
SVM90-30	865	575	1440	360	285	252
SVM90-40-2	957	575	1532	360	285	271
SVM90-40	957	650	1607	400	310	312
SVM90-50-2	1049	650	1699	400	310	336
SVM90-50	1049	650	1699	400	310	336
SVM90-60-2	1141	685	1826	460	340	407
SVM90-60	1141	685	1826	460	340	407

# Stainless Steel Vertical Multistage Pump — SVM(T)90

## Structure chart:SVM(T)32/45/64/90 Material:SVM(T)32/45/64/90



**SVM**



**SVMT**

No	Description	Material	AISI/ASTM
1	Motor	Assembling unit	
2	Support	Cast Iron/ Ductile iron	ASTM25B
4	Mechanical seal	Assembling unit	
5	Outlet guide vane	Stainless Steel	AISI304
6	Guide vane	Stainless Steel	AISI304
7	Support guide vane	Stainless Steel	AISI304
8	Coupling	Ductile iron	ASTM70-50-05
9	Impeller	Stainless Steel	AISI304
10	Shell	Stainless Steel	AISI304
11	Pump Shaft	Stainless Steel	AISI304 AISI316L AISI431
12	Bearing	Tungsten Carbide	
13	Inlet guide vane	Stainless Steel	AISI304
<b>SVM</b>			
3	seal seat	Stainless Steel	AISI304
14	Inlet & outlet seat	Stainless Steel	AISI304
15	Seat	Cast Iron	ASTM25B
<b>SVMT</b>			
3	seal seat	Cast Iron/ Ductile iron	ASTM25B ASTM70-50-05
14	Inlet & outlet seat	Cast Iron/ Ductile iron	ASTM25B ASTM70-50-05