

# Stainless Steel Vertical Multistage Pump — SVM(T)8

## Applications

- Water supply
- Industry pressure boosting
- Industry liquid transfer
- Water treatment
- Irrigation

## Motor

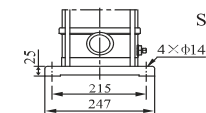
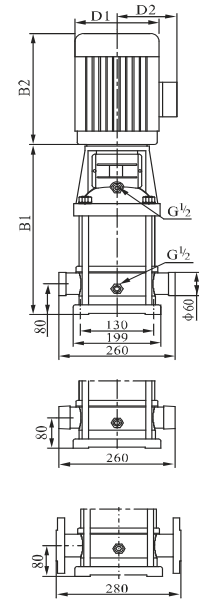
- Totally enclosed, air-cooled secondary standard motor
- Degree of protection: IP 55
- Insulation class: F
- Standard voltage: 1x220-230/240V (50Hz)
  - 3x200-220/346-380V
  - 3x220-240/380-415V
  - 3x220-255/380-440V
- Other voltage of the motor is available on request.
- Single phase motors from 0.37kW-2.2kW are available on request

## Operation conditions

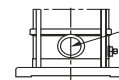
- Thin, clean, non-flammable and explosive and not containing solid particles or fibers liquid.
- Liquid Temperature:
  - Normal temperature: +15°C~+70°C
  - Hot water: -15°C~+105°C
- Environment Temperature: Max. 40°C
- Altitude: Max. 1000m

## Material

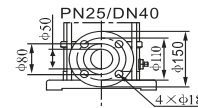
- Inlet & outlet chamber: Cast iron/Stainless steel (304/316)
- Impeller: Stainless steel (304/316)
- Shell: Stainless steel (304/316)
- Shaft: Stainless steel (304/316)
- Coupling: Ductile iron
- Bearing: Tungsten carbide
- Mechanical seal: Tungsten Carbide / Graphite



Sleeve chuck



Pipe Thread



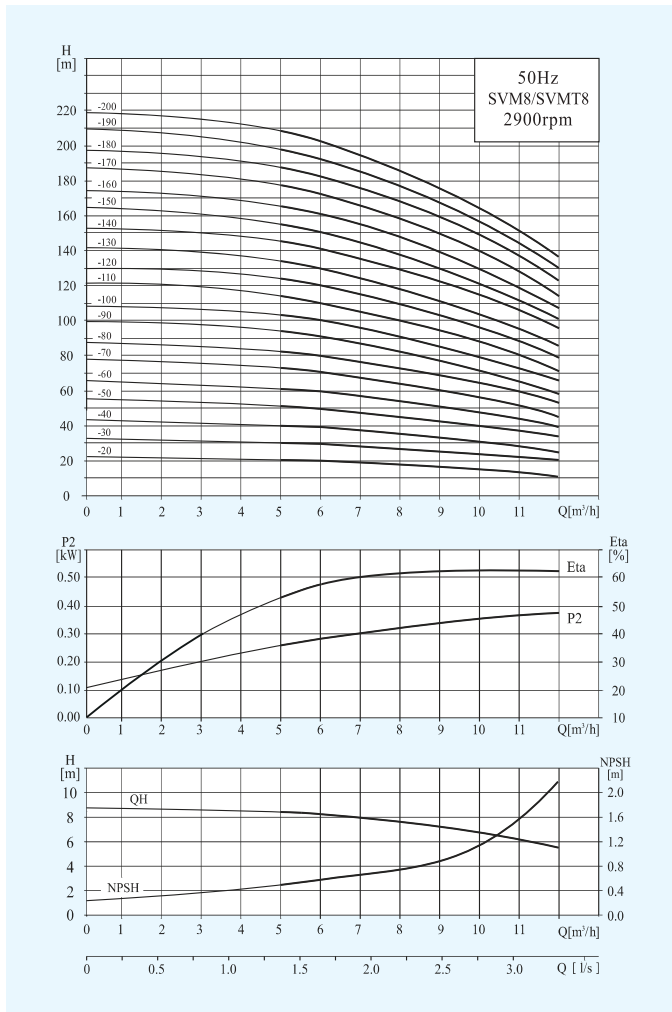
Flange

## Performance Table

Model	Associated motor(kW)	Q (m <sup>3</sup> /h)	5	6	7	8	9	10	11	12
SVM8-20	0.75	H (m)	20	19.5	19	18	17	16	14	13
SVM8-30	1.1		30	29.5	28.5	27	25	24	21	19
SVM8-40	1.5		41	39.5	38	36	34	32	28	26
SVM8-50	2.2		52	50	48	45	42	40	36	32
SVM8-60	2.2		62	60	57	54	51	48	43	39
SVM8-80	3.0		83	80	77	73	69	65	58	52
SVM8-100	4.0		104	100	97	92	87	81	73	65
SVM8-120	4.0		124	120	116	111	104	92	87	78
SVM8-140	5.5		145	141	136	130	122	113	102	92
SVM8-160	5.5		166	161	156	148	139	130	118	106
SVM8-180	7.5		187	182	175	167	157	146	134	120
SVM8-200	7.5		208	202	195	186	175	163	150	135

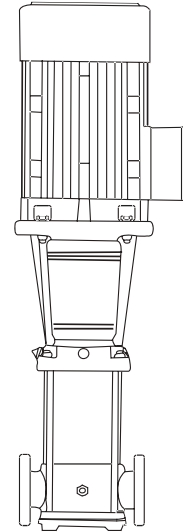
# Stainless Steel Vertical Multistage Pump — SVM(T)8

## Performance Curves

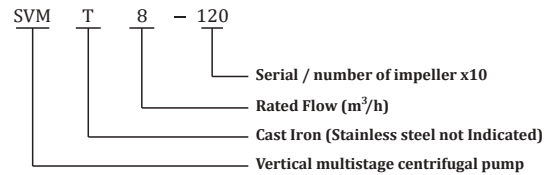


## Model Description

SVM(T)1/2/3/4/5/8/10/12/15/16/20



**SVM/SVMT**

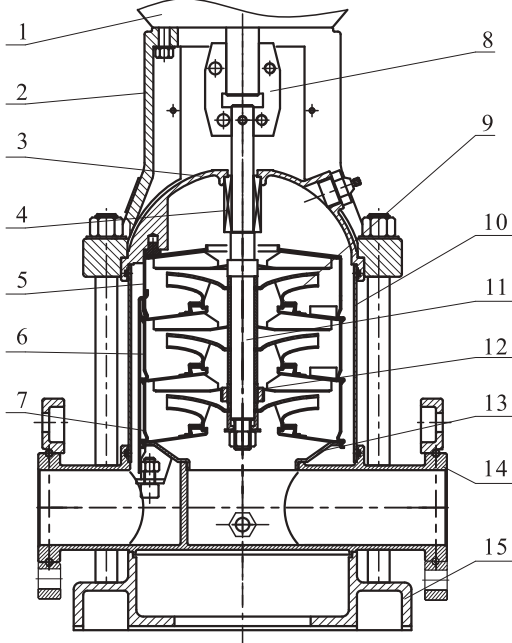


## Dimension&Weight

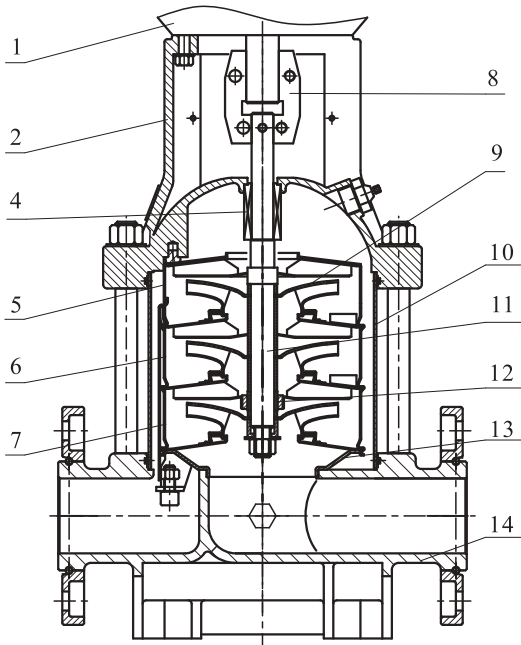
Model	Size (mm)					Net Weight(kg)
	B1	B2	B1+B2	D1	D2	
SVM8-20	347	245	592	170	142	32
SVM8-30	377	245	622	170	142	34
SVM8-40	417	290	707	190	155	40
SVM8-50	447	290	737	190	155	44
SVM8-60	477	290	767	190	155	45
SVM8-80	547	345	892	197	165	53
SVM8-100	607	355	962	230	188	64
SVM8-120	667	355	1022	230	188	66
SVM8-140	747	390	1137	260	208	81
SVM8-160	807	390	1197	260	208	84
SVM8-180	867	390	1257	260	208	93
SVM8-200	927	390	1317	260	208	94

# Stainless Steel Vertical Multistage Pump — SVM(T)8

## Structure chart: SVM(T)8/10/12/15/16/20



SVM



SVMT

## Material:SVM(T)8/10/12/15/16/20

No	Description	Material	AISI/ASTM
1	Motor	Assembling unit	
2	Support	Cast Iron/ Ductile iron	ASTM25B ASTM70-50-05
3	seal seat	Stainless Steel	AISI304
4	Mechanical seal	Assembling unit	
5	Outlet guide vane	Stainless Steel	AISI304
6	Guide vane	Stainless Steel	AISI304
7	Support guide vane	Stainless Steel	AISI304
8	Coupling	Ductile iron	ASTM70-50-05
9	Impeller	Stainless Steel	AISI304
10	Shell	Stainless Steel	AISI304
11	Pump Shaft	Stainless Steel	AISI304 AISI316L
12	Bearing	Tungsten Carbide	
13	Inlet guide vane	Stainless Steel	AISI304
<b>SVM</b>			
14	Inlet & outlet seat	Stainless Steel	AISI304
15	Seat	Cast Iron	ASTM25B
<b>SVMT</b>			
14	Inlet & outlet seat	Cast Iron	ASTM25B