

# Stainless Steel Vertical Multistage Pump — SVM(T)64

## Applications

- Water supply
- Industry pressure boosting
- Industry liquid transfer
- Water treatment
- Irrigation

## Motor

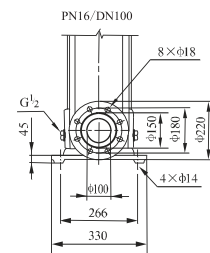
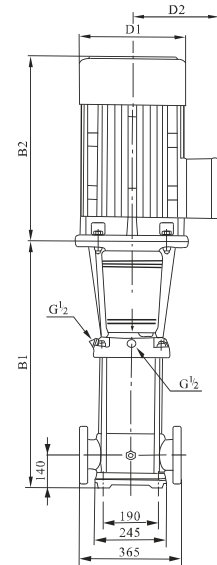
- Totally enclosed, air-cooled secondary standard motor
- Degree of protection: IP 55
- Insulation class: F
- Standard voltage: 1x220-230/240V (50Hz)
  - 3x200-220/346-380V
  - 3x220-240/380-415V
  - 3x220-255/380-440V
- Other voltage of the motor is available on request.
- Single phase motors from 0.37kW-2.2kW are available on request

## Operation conditions

- Thin, clean, non-flammable and explosive and not containing solid particles or fibers liquid.
- Liquid Temperature:
  - Normal temperature: +15°C~+70°C
  - Hot water: -15°C~+105°C
- Environment Temperature: Max. 40°C
- Altitude: Max. 1000m

## Material

- Inlet & outlet chamber: Cast iron/Stainless steel (304/316)
- Impeller: Stainless steel (304/316)
- Shell: Stainless steel (304/316)
- Shaft: Stainless steel (304/316)
- Coupling: Ductile iron
- Bearing: Tungsten carbide
- Mechanical seal: Tungsten Carbide / Graphite

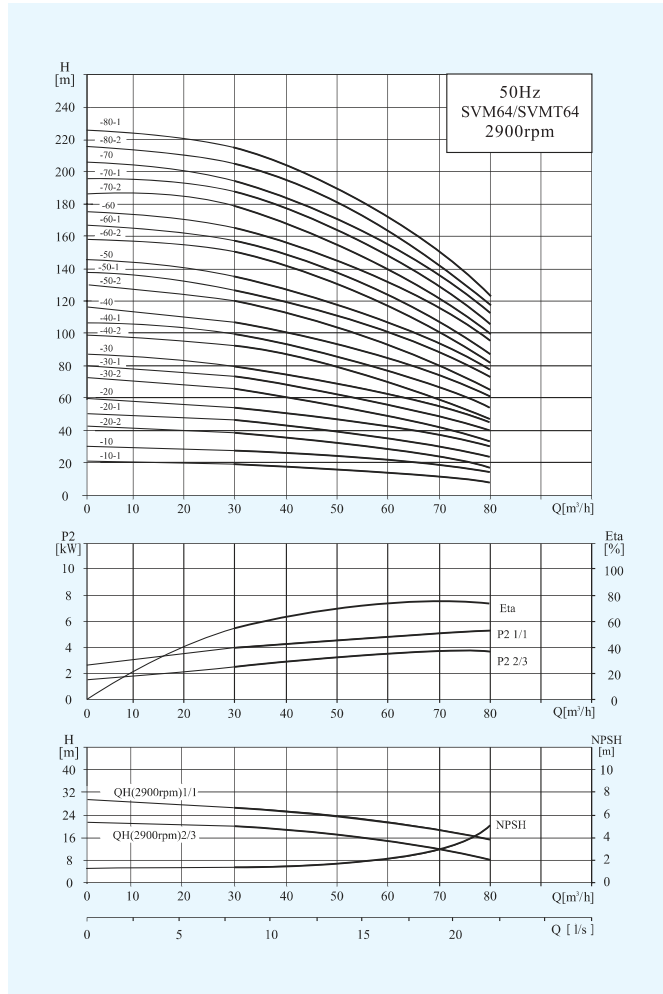


## Performance Table

Model	Associated motor(kW)	Q (m <sup>3</sup> /h)	30	40	50	60	64	70	80
SVM64-10-1	4.0	H (m)	19	18	16	14	13	11	8
SVM64-10	5.5		27	25	23	21	20	18	15
SVM64-20-2	7.5		39	36	33	29	27	23	17
SVM64-20-1	11		46	44	40	36	34	30	24
SVM64-20	11		53	51	47	43	41	37	30
SVM64-30-2	15		66	62	56	50	47	41	32
SVM64-30-1	15		73	69	63	57	54	48	39
SVM64-30	18.5		80	76	70	64	61	55	46
SVM45-40-2	18.5		92	87	80	71	67	60	47
SVM64-40-1	22		100	94	87	78	74	67	54
SVM64-40	22		107	101	94	85	81	74	61
SVM64-50-2	26		121	114	105	95	89	80	64
SVM64-50-1	26		128	121	112	102	96	87	71
SVM64-50	30		136	129	119	109	103	94	78
SVM64-60-2	30		150	142	131	118	111	101	81
SVM64-60-1	37		157	149	138	125	118	108	88
SVM64-60	37		164	156	145	132	125	115	95
SVM64-70-2	37		179	169	156	141	133	121	99
SVM64-70-1	37		186	176	163	148	141	128	106
SVM64-70	45		193	183	170	155	148	135	112
SVM64-80-2	45	207	196	182	164	156	142	116	
SVM64-80-1	45	215	203	189	171	163	149	123	

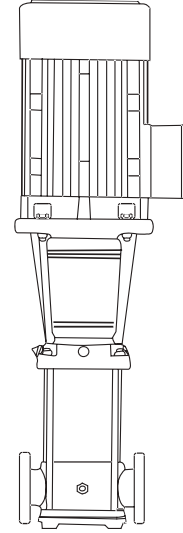
# Stainless Steel Vertical Multistage Pump — SVM(T)64

## Performance Curves

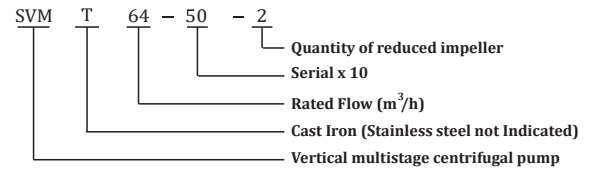


## Model Description

SVM(T)32/45/64/90/120/150



**SVM/SVMT**



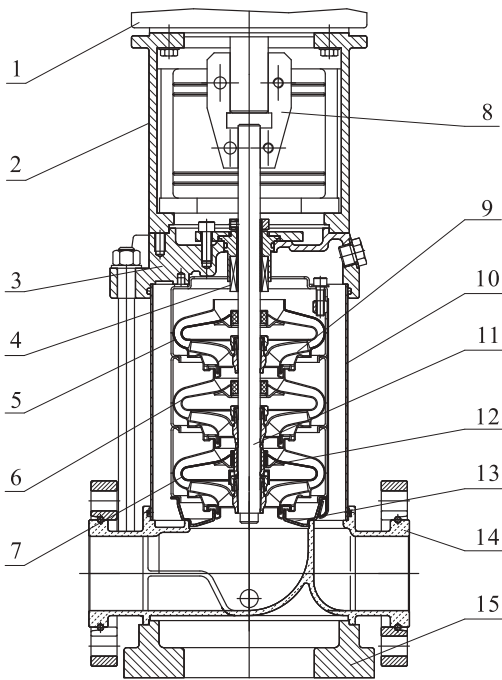
## Dimension&Weight

Model	Size (mm)					Net Weight(kg)
	B1	B2	B1+B2	D1	D2	
SVM64-10-1	561	355	916	230	188	93
SVM64-10	561	390	951	260	208	105
SVM64-20-2	644	390	1034	260	208	110
SVM64-20-1	754	500	1254	330	255	182
SVM64-20	754	500	1254	330	255	182
SVM64-30-2	836	500	1336	330	255	196
SVM64-30-1	836	500	1336	330	255	197
SVM64-30	836	550	1386	330	255	221
SVM64-40-2	919	550	1469	330	255	225
SVM64-40-1	919	575	1494	360	285	258
SVM64-40	919	575	1494	360	285	258
SVM64-50-2	1001	575	1576	360	285	276
SVM64-50-1	1001	575	1576	360	285	276
SVM64-50	1001	650	1651	400	310	320
SVM64-60-2	1084	650	1734	400	310	325
SVM64-60-1	1084	650	1734	400	310	349
SVM64-60	1084	650	1734	400	310	349
SVM64-70-2	1166	650	1816	400	310	353
SVM64-70-1	1166	650	1816	400	310	353
SVM64-70	1166	685	1851	460	340	420
SVM64-80-2	1248	685	1933	460	340	424
SVM64-80-1	1248	685	1933	460	340	424

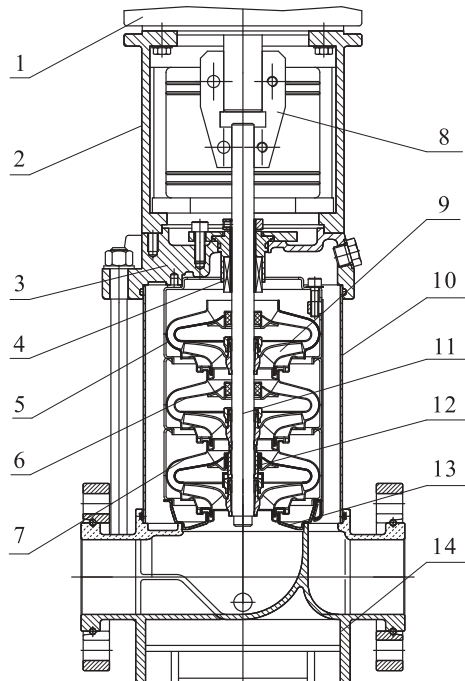
# Stainless Steel Vertical Multistage Pump — SVM(T)64

**Structure chart:SVM(T)32/45/64/90**

**Material:SVM(T)32/45/64/90**



**SVM**



**SVMT**

No	Description	Material	AISI/ASTM
1	Motor	Assembling unit	
2	Support	Cast Iron/ Ductile iron	ASTM25B
4	Mechanical seal	Assembling unit	
5	Outlet guide vane	Stainless Steel	AISI304
6	Guide vane	Stainless Steel	AISI304
7	Support guide vane	Stainless Steel	AISI304
8	Coupling	Ductile iron	ASTM70-50-05
9	Impeller	Stainless Steel	AISI304
10	Shell	Stainless Steel	AISI304
11	Pump Shaft	Stainless Steel	AISI304 AISI316L AISI431
12	Bearing	Tungsten Carbide	
13	Inlet guide vane	Stainless Steel	AISI304
<b>SVM</b>			
3	seal seat	Stainless Steel	AISI304
14	Inlet & outlet seat	Stainless Steel	AISI304
15	Seat	Cast Iron	ASTM25B
<b>SVMT</b>			
3	seal seat	Cast Iron/ Ductile iron	ASTM25B ASTM70-50-05
14	Inlet & outlet seat	Cast Iron/ Ductile iron	ASTM25B ASTM70-50-05