

Stainless Steel Vertical Multistage Pump — SVM(T)5

Applications

- Water supply
- Industry pressure boosting
- Industry liquid transfer
- Water treatment
- Irrigation

Motor

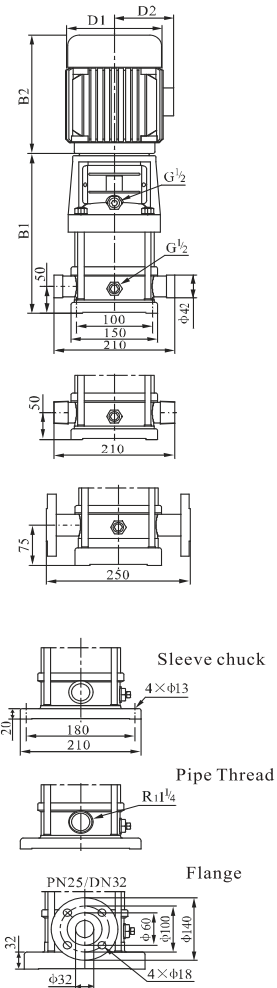
- Totally enclosed, air-cooled secondary standard motor
- Degree of protection: IP 55
- Insulation class: F
- Standard voltage: 1x220-230/240V (50Hz)
 - 3x200-220/346-380V
 - 3x220-240/380-415V
 - 3x220-255/380-440V
- Other voltage of the motor is available on request.
- Single phase motors from 0.37kW-2.2kW are available on request

Operation conditions

- Thin, clean, non-flammable and explosive and not containing solid particles or fibers liquid.
- Liquid Temperature:
 - Normal temperature: +15°C~+70°C
 - Hot water: -15°C~+105°C
- Environment Temperature: Max. 40°C
- Altitude: Max. 1000m

Material

- Inlet & outlet chamber: Cast iron/Stainless steel (304/316)
- Impeller: Stainless steel (304/316)
- Shell: Stainless steel (304/316)
- Shaft: Stainless steel (304/316)
- Coupling: Ductile iron
- Bearing: Tungsten carbide
- Mechanical seal: Tungsten Carbide / Graphite

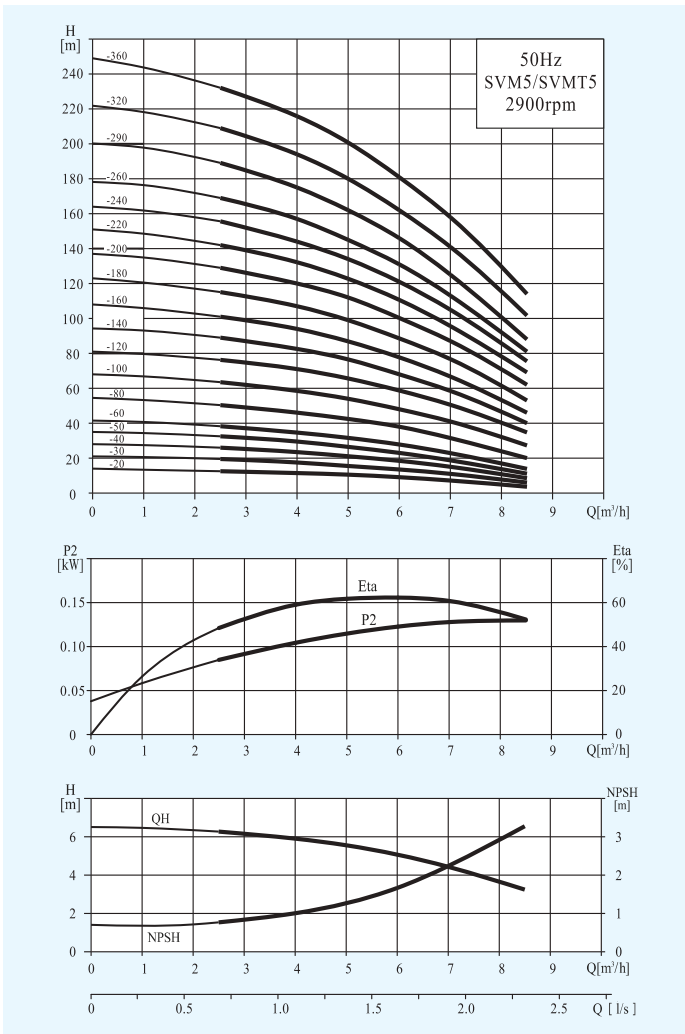


Performance Table

Model	Associated motor(kW)	Q (m ³ /h)	2.5	4	5	6	7	8.5
SVM5-20	0.37	H (m)	12.5	11.5	10.5	9	7	3.5
SVM5-30	0.55		19.5	17.5	15.5	13.5	11	6
SVM5-40	0.55		26	23.5	21	18.5	15	8.5
SVM5-50	0.75		32.5	29.5	26.5	23	18.5	11
SVM5-60	1.1		38.5	34.5	31.5	28	23	14
SVM5-80	1.1		50.5	46	42.5	38	31.5	20
SVM5-100	1.5		63.5	58.5	54	48	41	27.5
SVM5-120	2.2		76	71	65.5	58.5	50.5	35
SVM5-140	2.2		89	82	76.5	68	58.5	40
SVM5-160	2.2		101	94	87	77.5	66.5	46
SVM5-180	3.0		115	107	99	88.5	77	53
SVM5-200	3.0		129	120	112	100	87	62
SVM5-220	4.0		142	132	123	111	96	69
SVM5-240	4.0		156	144	134	121	105	75.5
SVM5-260	4.0		169	157	145	131	113	81
SVM5-290	4.0		189	175	162	146	125	88
SVM5-320	5.5		209	194	180	162	141	102
SVM5-360	5.5		232	216	201	181	158	114

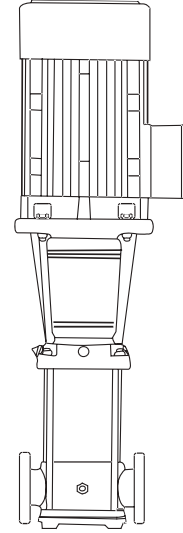
Stainless Steel Vertical Multistage Pump — SVM(T)5

Performance Curves

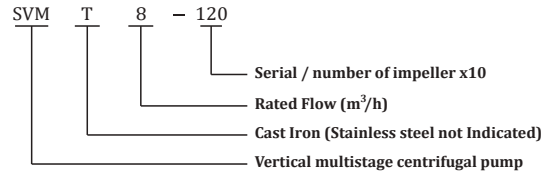


Model Description

SVM(T)1/2/3/4/5/8/10/12/15/16/20



SVM/SVMT



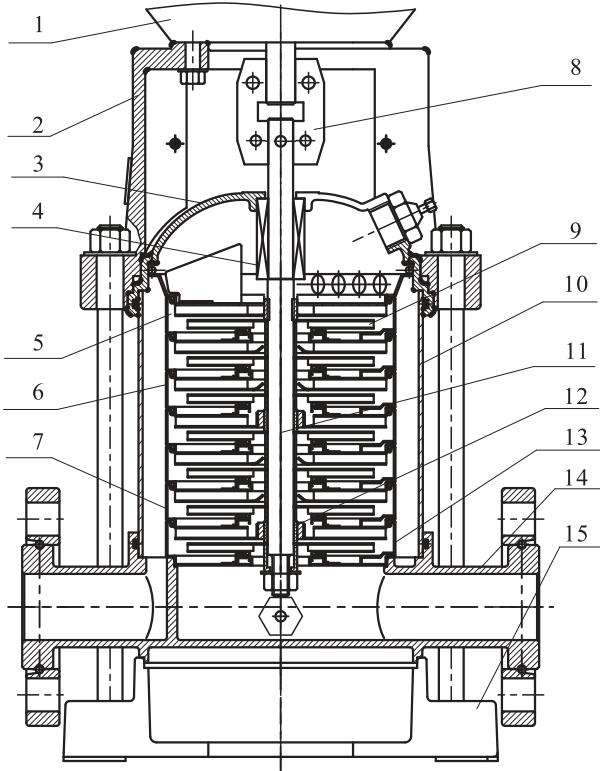
Dimension & Weight

Model	Size (mm)					Net Weight (kg)
	B1	B2	B1+B2	D1	D2	
SVM5-20	276	225	501	148	117	21
SVM5-30	303	225	528	148	117	22
SVM5-40	330	225	555	148	117	23
SVM5-50	367	245	612	170	142	25
SVM5-60	394	245	639	170	142	26
SVM5-80	448	245	693	170	142	27
SVM5-100	512	290	802	190	155	33
SVM5-120	566	290	856	190	155	37
SVM5-140	620	290	910	190	155	38
SVM5-160	674	290	964	190	155	39
SVM5-180	738	345	1083	197	165	48
SVM5-200	792	345	1137	197	165	49
SVM5-220	846	355	1201	230	185	57
SVM5-240	900	355	1255	230	185	58
SVM5-260	954	355	1309	230	185	59
SVM5-290	1035	355	1390	230	185	60
SVM5-320	1136	390	1526	260	210	75
SVM5-360	1244	390	1634	260	210	76

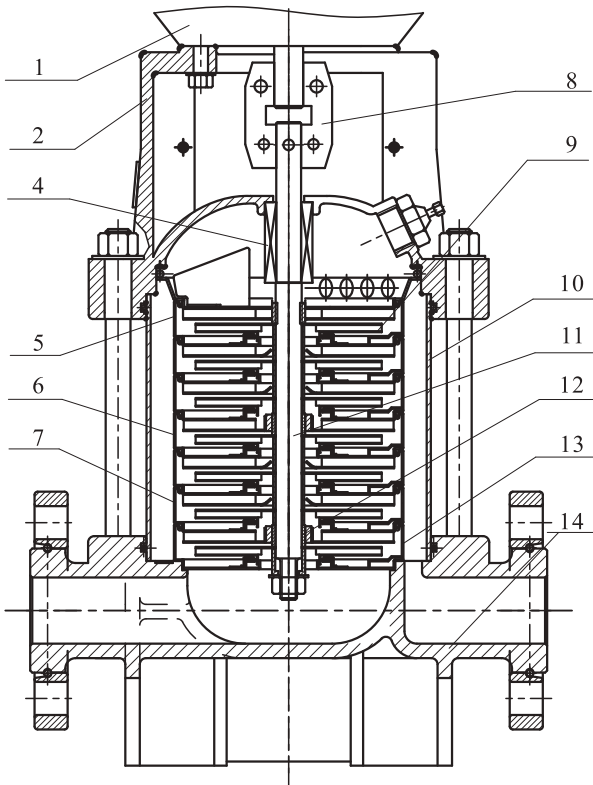
Stainless Steel Vertical Multistage Pump — SVM(T)5

Structure chart:SVM(T)1/2/3/4/5

Material:SVM(T)1/2/3/4/5



SVM



SVMT

No	Description	Material	AISI/ASTM
1	Motor	Assembling unit	
2	Support	Cast Iron/ Ductile iron	ASTM25B ASTM70-50-05
4	Mechanical seal	Assembling unit	
5	Outlet guide vane	Stainless Steel	AISI304
6	Guide vane	Stainless Steel	AISI304
7	Support guide vane	Stainless Steel	AISI304
8	Coupling	Ductile iron	ASTM70-50-05
9	Impeller	Stainless Steel	AISI304
10	Shell	Stainless Steel	AISI304
11	Pump Shaft	Stainless Steel	AISI304 AISI316L
12	Bearing	Tungsten Carbide	
13	Inlet guide vane	Stainless Steel	AISI304
SVM			
3	seal seat	Stainless Steel	AISI304
14	Inlet & outlet seat	Stainless Steel	AISI304
15	Seat	Cast Iron	ASTM25B
SVMT			
14	Inlet & outlet seat	Cast Iron	ASTM25B