

Stainless Steel Vertical Multistage Pump — SVM(T)4

Applications

- Water supply
- Industry pressure boosting
- Industry liquid transfer
- Water treatment
- Irrigation

Motor

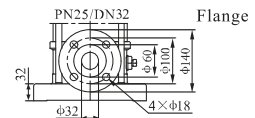
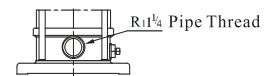
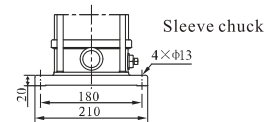
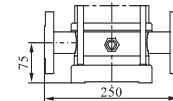
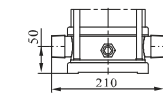
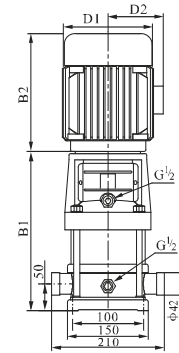
- Totally enclosed, air-cooled secondary standard motor
- Degree of protection: IP 55
- Insulation class: F
- Standard voltage: 1x220-230/240V (50Hz)
 - 3x200-220/346-380V
 - 3x220-240/380-415V
 - 3x220-255/380-440V
- Other voltage of the motor is available on request.
- Single phase motors from 0.37kW-2.2kW are available on request

Operation conditions

- Thin, clean, non-flammable and explosive and not containing solid particles or fibers liquid.
- Liquid Temperature:
 - Normal temperature: +15°C~+70°C
 - Hot water: -15°C~+105°C
- Environment Temperature: Max. 40°C
- Altitude: Max. 1000m

Material

- Inlet & outlet chamber: Cast iron/Stainless steel (304/316)
- Impeller: Stainless steel (304/316)
- Shell: Stainless steel (304/316)
- Shaft: Stainless steel (304/316)
- Coupling: Ductile iron
- Bearing: Tungsten carbide
- Mechanical seal: Tungsten Carbide / Graphite

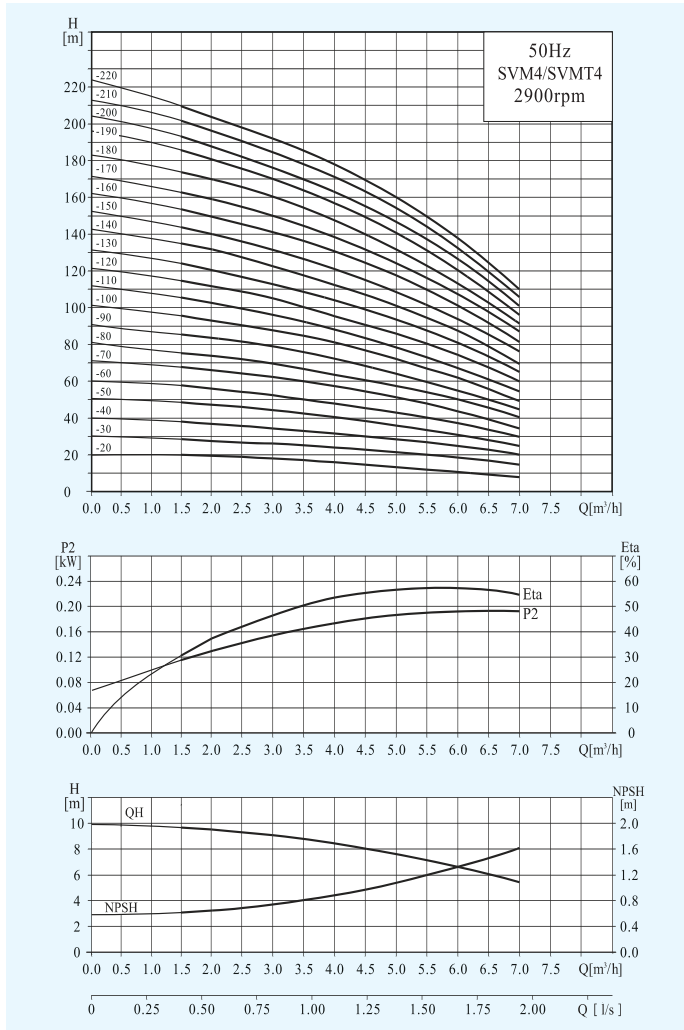


Performance Table

Model	Associated motor(kW)	Q (m ³ /h)	1.5	2.0	3.0	4.0	5.0	6.0	7.0
SVM4-20	0.37	H (m)	19	18	17	15	13	10	8
SVM4-30	0.55		28	27	26	24	20	18	13
SVM4-40	0.75		38	36	34	32	27	24	19
SVM4-50	1.1		47	45	43	40	34	31	23
SVM4-60	1.1		56	54	52	48	41	37	28
SVM4-70	1.5		66	63	61	56	48	43	33
SVM4-80	1.5		74	72	70	64	55	50	38
SVM4-100	2.2		96	90	87	81	71	62	48
SVM4-120	2.2		114	108	104	95	85	75	58
SVM4-140	3.0		136	126	122	112	101	89	68
SVM4-160	3.0		152	144	140	129	115	101	78
SVM4-190	4.0		183	171	168	153	137	122	93
SVM4-220	4.0		211	200	192	178	160	138	108

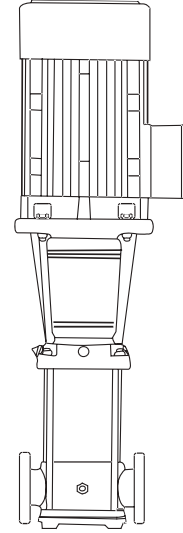
Stainless Steel Vertical Multistage Pump SVM(T)4

Performance Curves

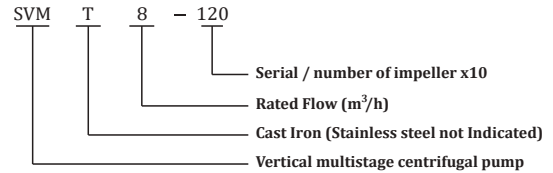


Model Description

SVM(T)1/2/3/4/5/8/10/12/15/16/20



SVM/SVMT

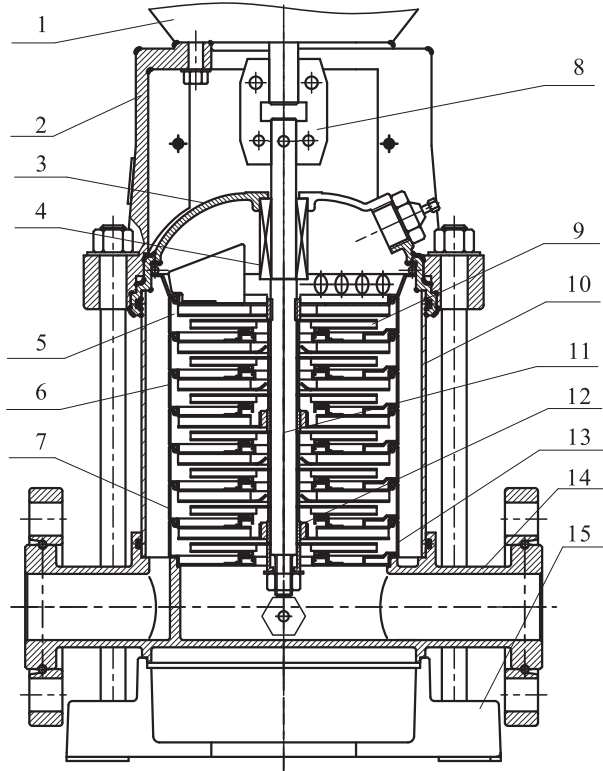


Dimension & Weight

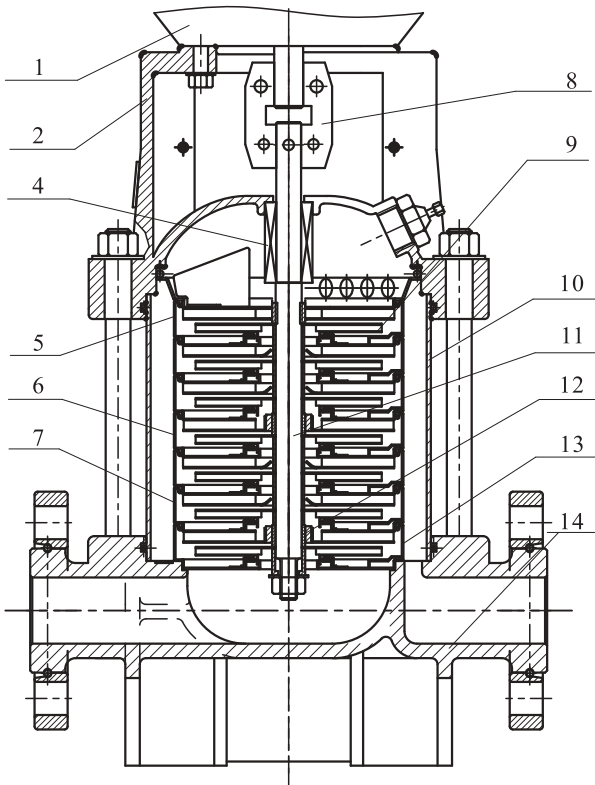
Model	Size (mm)					Net Weight (kg)
	B1	B2	B1+B2	D1	D2	
SVM4-20	276	225	501	148	117	21
SVM4-30	303	225	528	148	117	22
SVM4-40	340	245	585	170	142	25
SVM4-50	367	245	612	170	142	27
SVM4-60	394	245	639	170	142	27
SVM4-70	431	290	721	190	155	33
SVM4-80	458	290	748	190	155	33
SVM4-100	512	290	802	190	155	37
SVM4-120	566	290	856	190	155	38
SVM4-140	630	345	975	197	165	46
SVM4-160	684	345	1029	197	165	48
SVM4-190	765	355	1120	230	188	57
SVM4-220	846	355	1201	230	188	59

Stainless Steel Vertical Multistage Pump — SVM(T)4

Structure chart:SVM(T)1/2/3/4/5



SVM



SVMT

Material:SVM(T)1/2/3/4/5

No	Description	Material	AISI/ASTM
1	Motor	Assembling unit	
2	Support	Cast Iron/ Ductile iron	ASTM25B ASTM70-50-05
3	seal seat	Stainless Steel	AISI304
4	Mechanical seal	Assembling unit	
5	Outlet guide vane	Stainless Steel	AISI304
6	Guide vane	Stainless Steel	AISI304
7	Support guide vane	Stainless Steel	AISI304
8	Coupling	Ductile iron	ASTM70-50-05
9	Impeller	Stainless Steel	AISI304
10	Shell	Stainless Steel	AISI304
11	Pump Shaft	Stainless Steel	AISI304 AISI316L
12	Bearing	Tungsten Carbide	
13	Inlet guide vane	Stainless Steel	AISI304
SVM			
14	Inlet & outlet seat	Stainless Steel	AISI304
15	Seat	Cast Iron	ASTM25B
SVMT			
14	Inlet & outlet seat	Cast Iron	ASTM25B