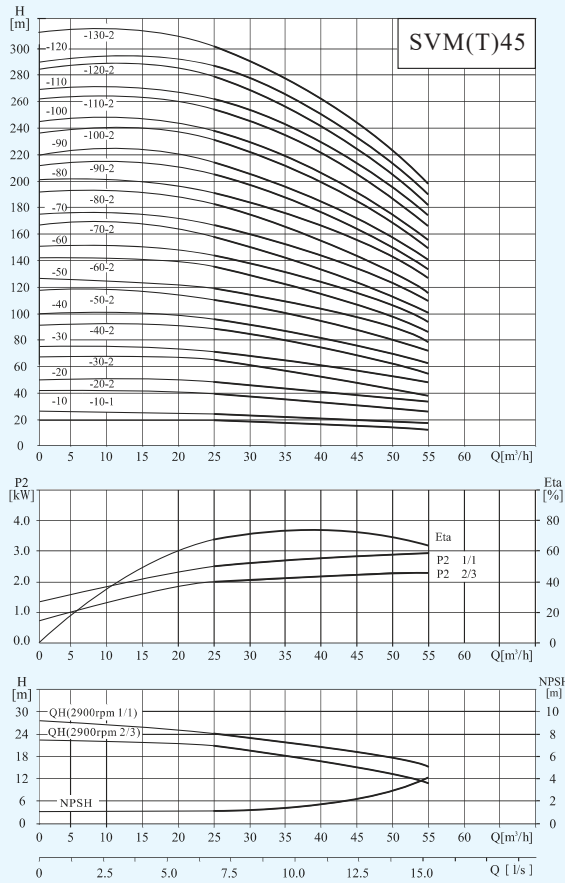
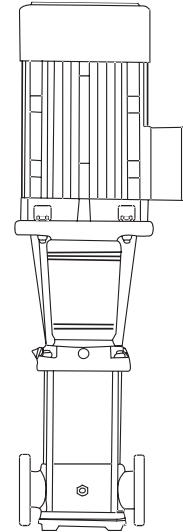


Stainless Steel Vertical Multistage Pump — 60Hz — SVM(T)45

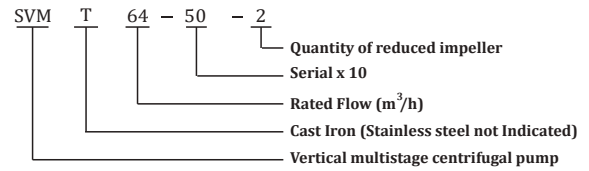
Performance Curves



Model Description SVM(T)32/45/64/90/120/150



SVM/VSMT

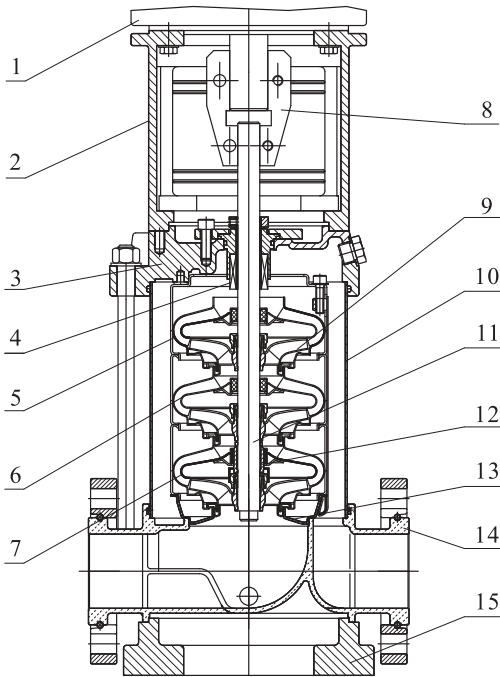


Size and weight

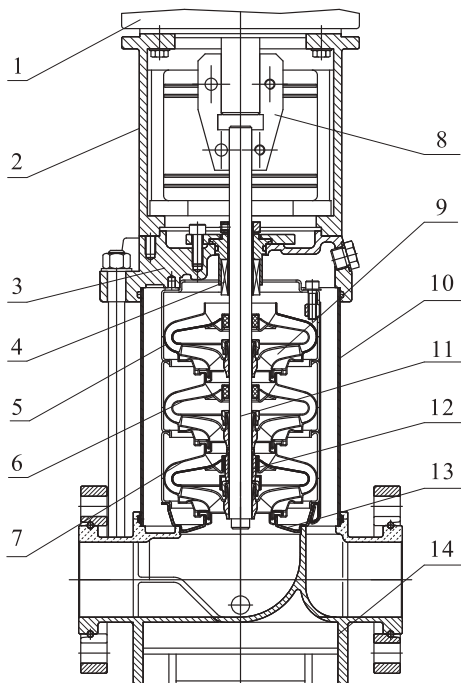
Model	Size (mm)					Weight (kg)
	B1	B2	B1+B2	D1	D2	
SVM45-10-1	561	430	992	260	208	101
SVM45-10	561	430	992	260	208	106
SVM45-20-2	748	490	1238	330	255	178
SVM45-20	748	490	1238	330	255	188
SVM45-30-2	828	550	1378	330	255	213
SVM45-30	828	550	1378	330	255	213
SVM45-40-2	908	590	1498	360	285	253
SVM45-40	908	660	1568	400	310	309
SVM45-50-2	988	660	1648	400	310	313
SVM45-50	988	660	1648	400	310	313
SVM45-60-2	1068	660	1728	400	310	340
SVM45-60	1068	660	1728	400	310	340
SVM45-70-2	1148	700	1848	460	340	404
SVM45-70	1148	700	1848	460	340	404

Stainless Steel Vertical Multistage Pump — 60Hz — SVM(T)45

Structure chart:SVM(T)32/45/64/90 Material:SVM(T)32/45/64/90



SVM



SVMT

No	Description	Material	AISI/ASTM
1	Motor	Assembling unit	
2	Support	Cast Iron/ Ductile iron	ASTM25B
4	Mechanical seal	Assembling unit	
5	Outlet guide vane	Stainless Steel	AISI304
6	Guide vane	Stainless Steel	AISI304
7	Support guide vane	Stainless Steel	AISI304
8	Coupling	Ductile iron	ASTM70-50-05
9	Impeller	Stainless Steel	AISI304
10	Shell	Stainless Steel	AISI304
11	Pump Shaft	Stainless Steel	AISI304 AISI316L AISI431
12	Bearing	Tungsten Carbide	
13	Inlet guide vane	Stainless Steel	AISI304
SVM			
3	seal seat	Stainless Steel	AISI304
14	Inlet & outlet seat	Stainless Steel	AISI304
15	Seat	Cast Iron	ASTM25B
SVMT			
3	seal seat	Cast Iron/ Ductile iron	ASTM25B ASTM70-50-05
14	Inlet & outlet seat	Cast Iron/ Ductile iron	ASTM25B ASTM70-50-05