

# Stainless Steel Vertical Multistage Pump — SVM(T)45

## Applications

- Water supply
- Industry pressure boosting
- Industry liquid transfer
- Water treatment
- Irrigation

## Motor

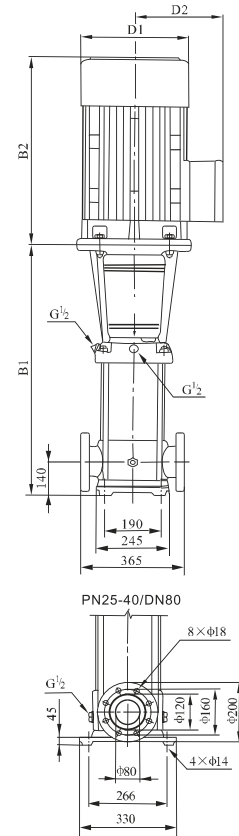
- Totally enclosed, air-cooled secondary standard motor
- Degree of protection: IP 55
- Insulation class: F
- Standard voltage: 1x220-230/240V (50Hz)
  - 3x200-220/346-380V
  - 3x220-240/380-415V
  - 3x220-255/380-440V
- Other voltage of the motor is available on request.
- Single phase motors from 0.37kW-2.2kW are available on request

## Operation conditions

- Thin, clean, non-flammable and explosive and not containing solid particles or fibers liquid.
- Liquid Temperature:
  - Normal temperature: +15°C~+70°C
  - Hot water: -15°C~+105°C
- Environment Temperature: Max. 40°C
- Altitude: Max. 1000m

## Material

- Inlet & outlet chamber: Cast iron/Stainless steel (304/316)
- Impeller: Stainless steel (304/316)
- Shell: Stainless steel (304/316)
- Shaft: Stainless steel (304/316)
- Coupling: Ductile iron
- Bearing: Tungsten carbide
- Mechanical seal: Tungsten Carbide / Graphite

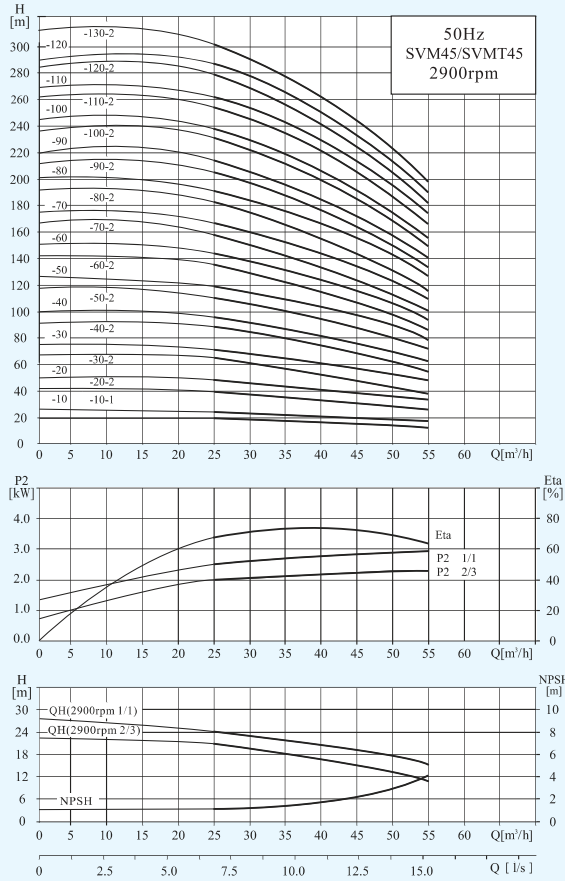


## Performance Table

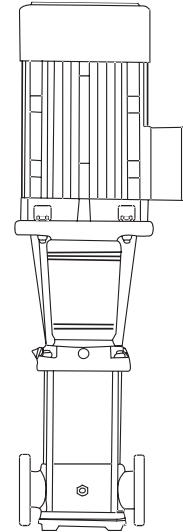
Model	Associated motor(kW)	Q (m <sup>3</sup> /h)	H (m)						
			25	30	35	40	45	50	55
SVM45-10-1	3.0	20	19	18	17	15	13	11	
SVM45-10	4.0	24	23	22	21	19	18	16	
SVM45-20-2	5.5	40	38	36	33	30	27	23	
SVM45-20	7.5	48	46	44	42	39	35	31	
SVM45-30-2	9.2	63	61	58	54	50	44	38	
SVM45-30	11	71	69	66	63	58	53	47	
SVM45-40-2	15	87	84	80	75	69	62	54	
SVM45-40	15	95	92	88	84	78	71	62	
SVM45-50-2	18.5	111	107	102	96	88	80	69	
SVM45-50	18.5	119	115	110	105	97	88	78	
SVM45-60-2	22	135	130	124	117	108	97	85	
SVM45-60	22	143	138	132	125	116	106	93	
SVM45-70-2	26	158	152	146	138	127	115	100	
SVM45-70	26	166	161	154	146	135	124	109	
SVM45-80-2	30	182	175	168	159	146	133	116	
SVM45-80	30	190	184	176	167	154	141	124	
SVM45-90-2	30	205	198	190	180	166	150	132	
SVM45-90	37	214	207	198	188	174	159	140	
SVM45-100-2	37	230	221	212	200	185	168	147	
SVM45-100	37	238	230	220	209	193	177	155	
SVM45-110-2	45	255	246	236	223	206	188	165	
SVM45-110	45	263	255	244	232	214	196	173	
SVM45-120-2	45	280	270	259	245	226	206	181	
SVM45-120	45	289	280	268	255	236	216	190	
SVM45-130-2	45	305	294	282	267	247	225	198	

# Stainless Steel Vertical Multistage Pump — SVM(T)45

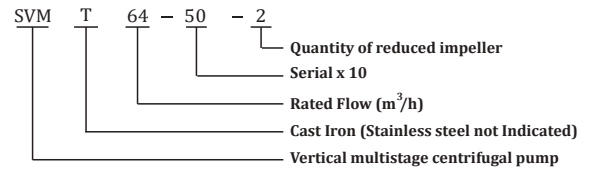
## Performance Curves



## Model Description SVM(T)32/45/64/90/120/150



**SVM/SVMT**

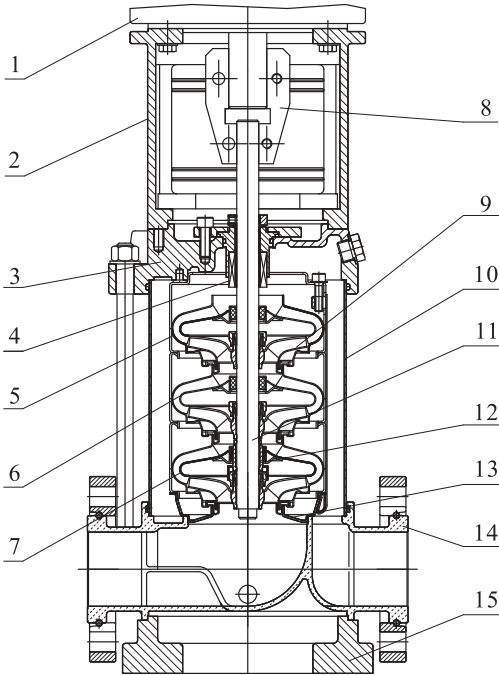


## Dimension & Weight

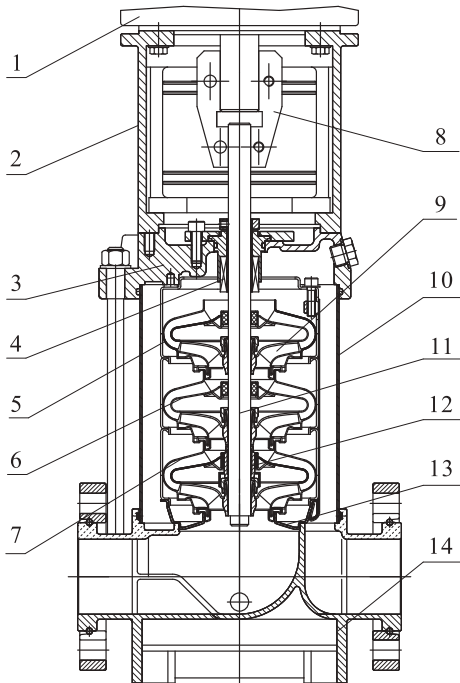
Model	Size (mm)					Net Weight (kg)
	B1	B2	B1+B2	D1	D2	
SVM45-10-1	561	345/355	906/916	197/230	165/188	83/90
SVM45-10						
SVM45-20-2	641	390	1031	260	208	105/110
SVM45-20						
SVM45-30-2	721/826	390/500	1111/1326	260/330	208/255	127/183
SVM45-30						
SVM45-40-2	906	500	1406	330	255	197
SVM45-40						
SVM45-50-2	986	550	1536	330	255	221
SVM45-50						
SVM45-60-2	1066	575	1641	360	285	261
SVM45-60						
SVM45-70-2	1146	575	1721	360	285	288
SVM45-70						
SVM45-80-2	1226	650	1876	400	310	324
SVM45-80						
SVM45-90-2	1306	650	1956	400	310	328/352
SVM45-90						
SVM45-100-2	1386	650	2036	400	310	355
SVM45-100						
SVM45-110-2	1466	685	2151	450	345	426
SVM45-110						
SVM45-120-2	1546	685	2231	450	345	432
SVM45-120						
SVM45-130-2	1626	685	2311	450	345	438

# Stainless Steel Vertical Multistage Pump — SVM(T)45

**Structure chart:SVM(T)32/45/64/90    Material:SVM(T)32/45/64/90**



**SVM**



**SVMT**

No	Description	Material	AISI/ASTM
1	Motor	Assembling unit	
2	Support	Cast Iron/ Ductile iron	ASTM25B
4	Mechanical seal	Assembling unit	
5	Outlet guide vane	Stainless Steel	AISI304
6	Guide vane	Stainless Steel	AISI304
7	Support guide vane	Stainless Steel	AISI304
8	Coupling	Ductile iron	ASTM70-50-05
9	Impeller	Stainless Steel	AISI304
10	Shell	Stainless Steel	AISI304
11	Pump Shaft	Stainless Steel	AISI304 AISI316L AISI431
12	Bearing	Tungsten Carbide	
13	Inlet guide vane	Stainless Steel	AISI304
<b>SVM</b>			
3	seal seat	Stainless Steel	AISI304
14	Inlet & outlet seat	Stainless Steel	AISI304
15	Seat	Cast Iron	ASTM25B
<b>SVMT</b>			
3	seal seat	Cast Iron/ Ductile iron	ASTM25B ASTM70-50-05
14	Inlet & outlet seat	Cast Iron/ Ductile iron	ASTM25B ASTM70-50-05