

# Stainless Steel Vertical Multistage Pump — SVM(T)3

## Applications

- Water supply
- Industry pressure boosting
- Industry liquid transfer
- Water treatment
- Irrigation

## Motor

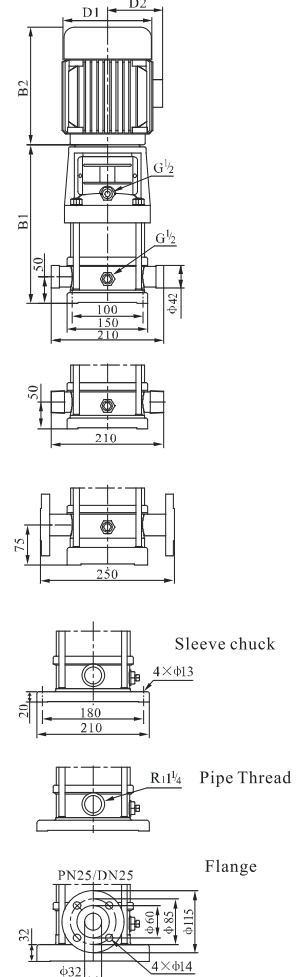
- Totally enclosed, air-cooled secondary standard motor
- Degree of protection: IP 55
- Insulation class: F
- Standard voltage: 1x220-230/240V (50Hz)  
 3x200-220/346-380V  
 3x220-240/380-415V  
 3x220-255/380-440V
- Other voltage of the motor is available on request.
- Single phase motors from 0.37kW-2.2kW are available on request

## Operation conditions

- Thin, clean, non-flammable and explosive and not containing solid particles or fibers liquid.
- Liquid Temperature:  
 Normal temperature: +15°C~+70°C  
 Hot water: -15°C~+105°C
- Environment Temperature: Max. 40°C
- Altitude: Max. 1000m

## Material

- Inlet & outlet chamber: Cast iron/Stainless steel (304/316)
- Impeller: Stainless steel (304/316)
- Shell: Stainless steel (304/316)
- Shaft: Stainless steel (304/316)
- Coupling: Ductile iron
- Bearing: Tungsten carbide
- Mechanical seal: Tungsten Carbide / Graphite

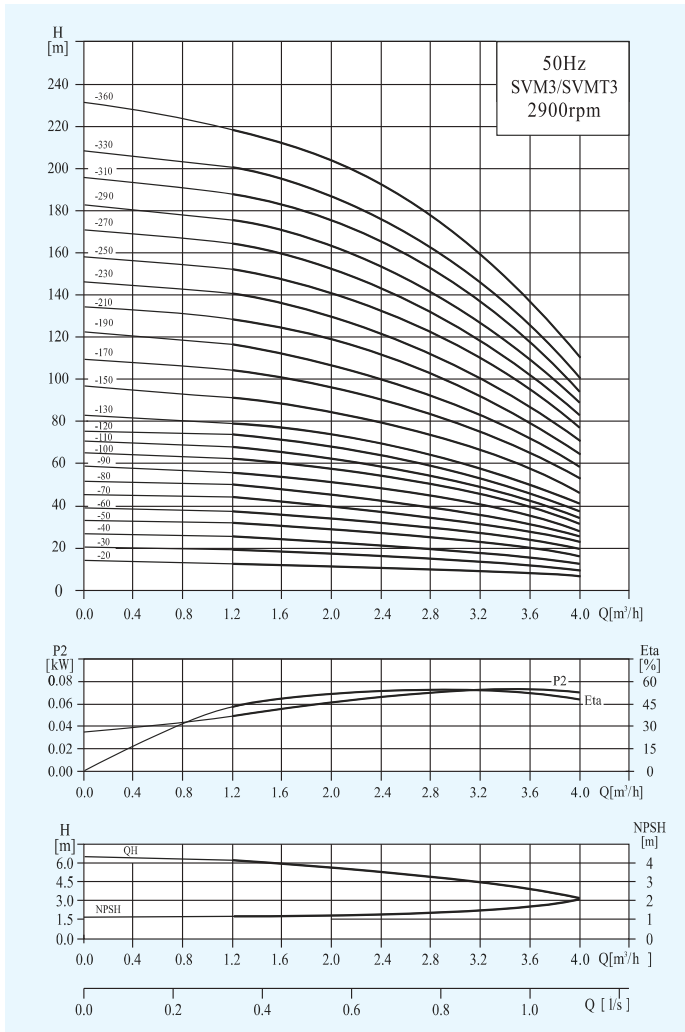


## Performance Table

Model	Associated motor(kW)	Q (m <sup>3</sup> /h)	H (m)									
			1.2	1.6	2.0	2.4	2.8	3.0	3.2	3.6	4.0	
SVM3-20	0.37		12.5	11.5	11	10.5	10	9	8	7	6	
SVM3-30	0.37		19	18.5	17.5	16.5	15	14	13	11	9	
SVM3-40	0.37		25	24	23	21.5	20	19	18	15	12	
SVM3-50	0.37		31	30	29	27	25	23	22	19	16	
SVM3-60	0.55		36	35	34	32	30	28	27	23	19	
SVM3-70	0.55		43	41	39	37	34	32	31	27	22	
SVM3-80	0.75		49	47	45	43	39	37	35	31	25	
SVM3-90	0.75		55	53	51	48	45	42	40	35	28	
SVM3-100	0.75		61	59	57	54	50	47	45	39	31	
SVM3-110	1.1		67	64	61	58	54	51	49	42	34	
SVM3-120	1.1		73	70	67	63	58	55	52	45	37	
SVM3-130	1.1		78	76	73	69	64	60	57	49	40	
SVM3-150	1.1		90	88	84	79	73	69	66	57	46	
SVM3-170	1.5		103	100	96	90	83	79	75	64	52	
SVM3-190	1.5		115	112	107	100	92	88	83	72	58	
SVM3-210	2.2		128	124	119	112	102	98	91	79	64	
SVM3-230	2.2		140	135	130	122	112	107	100	86	70	
SVM3-250	2.2		151	147	141	131	122	116	109	94	76	
SVM3-270	2.2		164	159	152	143	132	124	117	101	82	
SVM3-290	2.2		175	170	163	153	142	133	126	109	88	
SVM3-310	3.0		187	182	175	165	153	142	135	116	94	
SVM3-330	3.0		199	194	187	176	163	151	145	125	100	
SVM3-360	3.0		218	212	204	192	178	168	159	137	109	

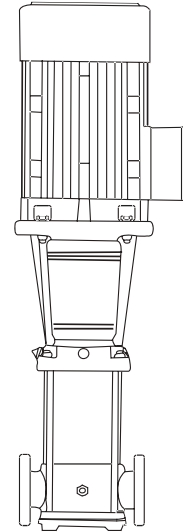
# Stainless Steel Vertical Multistage Pump SVM(T)3

## Performance Curves

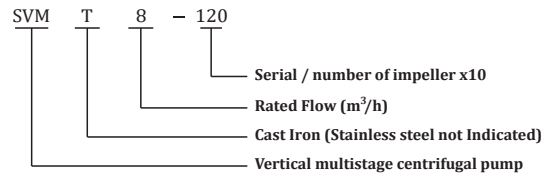


## Model Description

SVM(T)1/2/3/4/5/8/10/12/15/16/20



SVM/SVMT

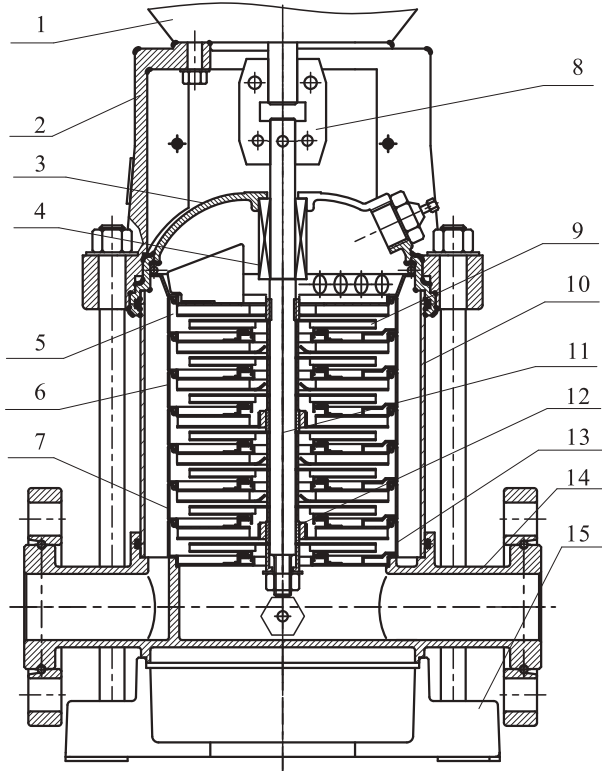


## Dimension & Weight

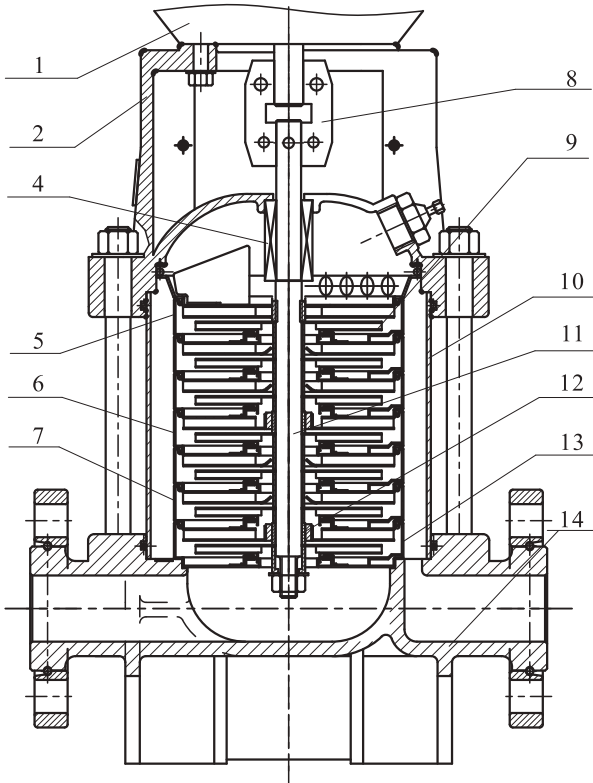
Model	Size (mm)					Net Weight(kg)
	B1	B2	B1+B2	D1	D2	
SVM3-20	258	225	483	148	117	20
SVM3-30	276	225	501	148	117	20
SVM3-40	294	225	519	148	117	21
SVM3-50	312	225	537	148	117	21
SVM3-60	330	225	555	148	117	23
SVM3-70	348	225	573	148	117	24
SVM3-80	376	245	621	170	142	27
SVM3-90	394	245	639	170	142	28
SVM3-100	412	245	657	170	142	28
SVM3-110	430	245	675	170	142	29
SVM3-120	448	245	693	170	142	30
SVM3-130	466	245	711	170	142	31
SVM3-150	502	245	747	170	142	32
SVM3-170	548	290	838	190	155	38
SVM3-190	584	290	874	190	155	39
SVM3-210	620	290	910	190	155	42
SVM3-230	656	290	946	190	155	43
SVM3-250	692	290	982	190	155	44
SVM3-270	728	290	1018	190	155	45
SVM3-290	764	290	1054	190	155	46
SVM3-310	810	345	1155	197	165	54
SVM3-330	846	345	1191	197	165	55
SVM3-360	900	345	1245	197	165	57

# Stainless Steel Vertical Multistage Pump — SVM(T)3

**Structure chart:SVM(T)1/2/3/4/5**



SVM



SVMT

**Material:SVM(T)1/2/3/4/5**

No	Description	Material	AISI/ASTM
1	Motor	Assembling unit	
2	Support	Cast Iron/ Ductile iron	ASTM25B ASTM70-50-05
3	seal seat	Stainless Steel	AISI304
4	Mechanical seal	Assembling unit	
5	Outlet guide vane	Stainless Steel	AISI304
6	Guide vane	Stainless Steel	AISI304
7	Support guide vane	Stainless Steel	AISI304
8	Coupling	Ductile iron	ASTM70-50-05
9	Impeller	Stainless Steel	AISI304
10	Shell	Stainless Steel	AISI304
11	Pump Shaft	Stainless Steel	AISI304 AISI316L
12	Bearing	Tungsten Carbide	
13	Inlet guide vane	Stainless Steel	AISI304
<b>SVM</b>			
14	Inlet & outlet seat	Stainless Steel	AISI304
15	Seat	Cast Iron	ASTM25B
<b>SVMT</b>			
14	Inlet & outlet seat	Cast Iron	ASTM25B