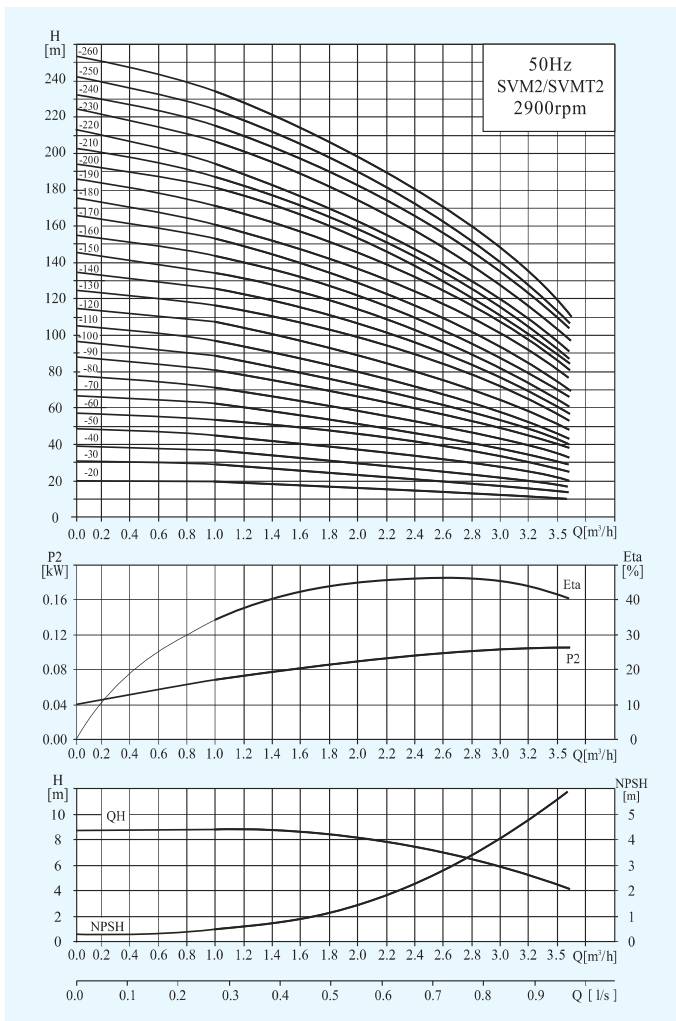


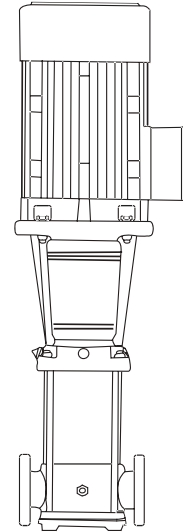
Stainless Steel Vertical Multistage Pump — 60Hz — SVM(T)2

Performance Curves

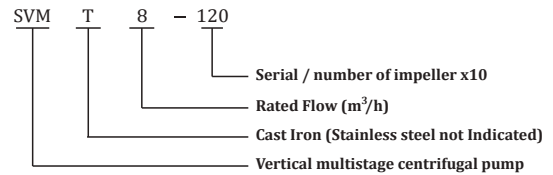


Model Description

SVM(T)1/2/3/4/5/8/10/12/15/16/20



SVM/SVMT



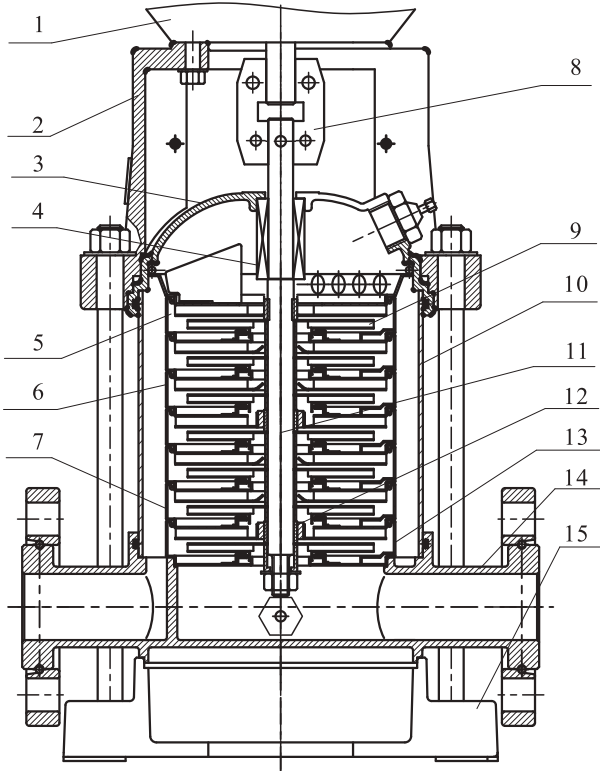
Size and weight

Model	Size (mm)					Weight (kg)
	B1	B2	B1+B2	D1	D2	
SVM2-20	258	210	468	148	117	21
SVM2-30	286	245	531	170	142	24
SVM2-40	304	245	549	170	142	25
SVM2-50	322	245	567	170	142	26
SVM2-60	340	245	585	170	142	26
SVM2-70	368	290	658	190	155	32
SVM2-90	404	290	694	190	155	36
SVM2-110	440	290	730	190	155	37
SVM2-130	486	315	801	197	165	44
SVM2-150	522	315	837	197	165	45
SVM2-180	576	335	911	230	188	54

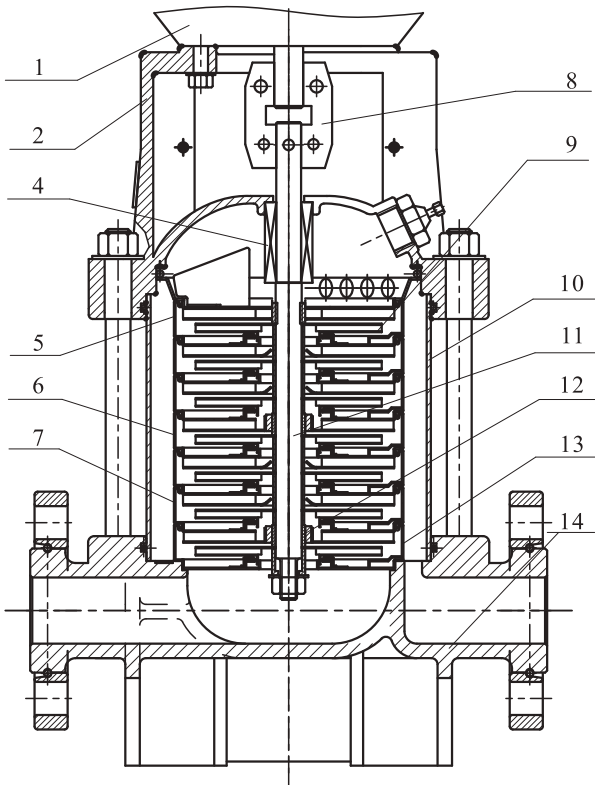
Stainless Steel Vertical Multistage Pump — 60Hz — SVM(T)2

Structure chart:SVM(T)1/2/3/4/5

Material:SVM(T)1/2/3/4/5



SVM



SVMT

No	Description	Material	AISI/ASTM
1	Motor	Assembling unit	
2	Support	Cast Iron/ Ductile iron	ASTM25B ASTM70-50-05
4	Mechanical seal	Assembling unit	
5	Outlet guide vane	Stainless Steel	AISI304
6	Guide vane	Stainless Steel	AISI304
7	Support guide vane	Stainless Steel	AISI304
8	Coupling	Ductile iron	ASTM70-50-05
9	Impeller	Stainless Steel	AISI304
10	Shell	Stainless Steel	AISI304
11	Pump Shaft	Stainless Steel	AISI304 AISI316L
12	Bearing	Tungsten Carbide	
13	Inlet guide vane	Stainless Steel	AISI304
SVM			
3	seal seat	Stainless Steel	AISI304
14	Inlet & outlet seat	Stainless Steel	AISI304
15	Seat	Cast Iron	ASTM25B
SVMT			
14	Inlet & outlet seat	Cast Iron	ASTM25B