

Stainless Steel Vertical Multistage Pump — SVM(T)2

Applications

- Water supply
- Industry pressure boosting
- Industry liquid transfer
- Water treatment
- Irrigation

Motor

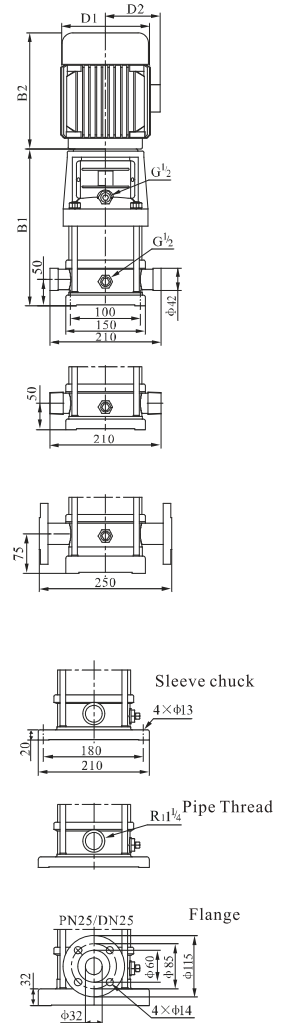
- Totally enclosed, air-cooled secondary standard motor
- Degree of protection: IP 55
- Insulation class: F
- Standard voltage: 1x220-230/240V (50Hz)
 - 3x200-220/346-380V
 - 3x220-240/380-415V
 - 3x220-255/380-440V
- Other voltage of the motor is available on request.
- Single phase motors from 0.37kW-2.2kW are available on request

Operation conditions

- Thin, clean, non-flammable and explosive and not containing solid particles or fibers liquid.
- Liquid Temperature:
 - Normal temperature: +15°C~+70°C
 - Hot water: -15°C~+105°C
- Environment Temperature: Max. 40°C
- Altitude: Max. 1000m

Material

- Inlet & outlet chamber: Cast iron/Stainless steel (304/316)
- Impeller: Stainless steel (304/316)
- Shell: Stainless steel (304/316)
- Shaft: Stainless steel (304/316)
- Coupling: Ductile iron
- Bearing: Tungsten carbide
- Mechanical seal: Tungsten Carbide / Graphite

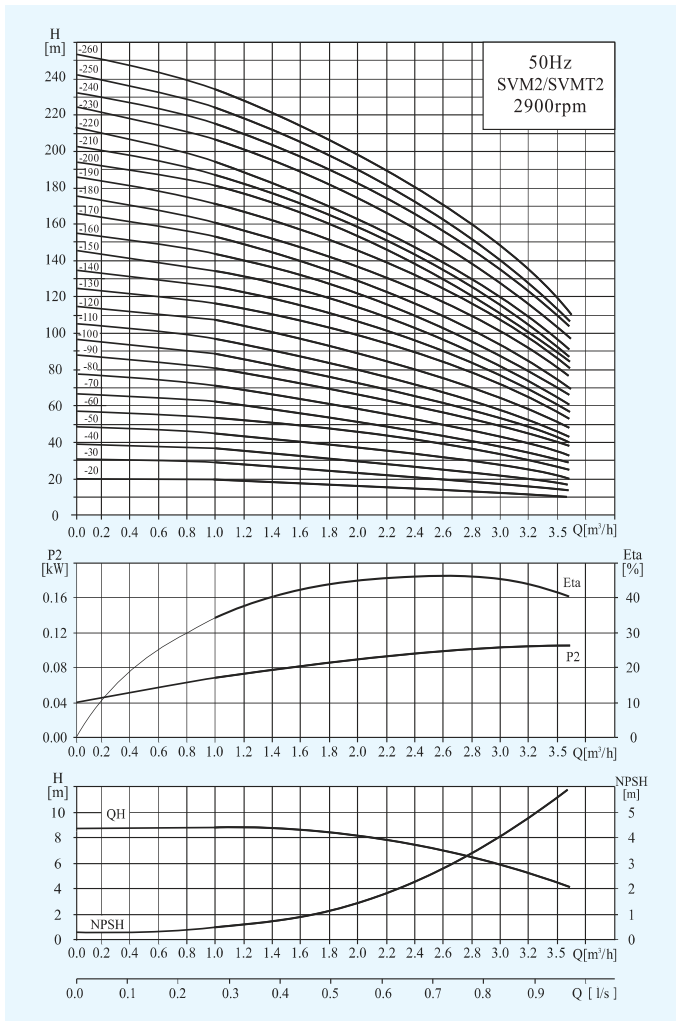


Performance Table

Model	Associated motor(kW)	Q (m ³ /h)	1	1.2	1.6	2.0	2.4	2.8	3.2	3.5
SVM2-20	0.37	H (m)	18	17	16	15	13	12	10	8
SVM2-30	0.37		27	26	24	22	20	18	15	12
SVM2-40	0.55		36	35	33	30	26	24	20	16
SVM2-50	0.55		45	43	40	37	33	30	24	20
SVM2-60	0.75		53	52	50	45	40	36	30	24
SVM2-70	0.75		63	61	57	52	47	41	35	28
SVM2-90	1.1		80	78	73	67	61	54	45	37
SVM2-110	1.1		98	95	89	82	73	64	54	44
SVM2-130	1.5		116	114	106	98	89	78	65	52
SVM2-150	1.5		134	130	123	112	100	90	73	60
SVM2-180	2.2		161	157	148	136	121	108	91	76
SVM2-220	2.2		197	192	180	165	148	130	110	90
SVM2-260	3.0		232	228	214	198	179	158	130	110

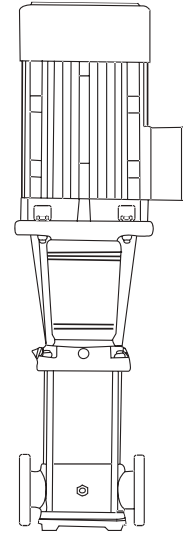
Stainless Steel Vertical Multistage Pump SVM(T)2

Performance Curves

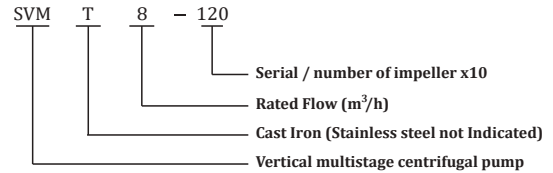


Model Description

SVM(T)1/2/3/4/5/8/10/12/15/16/20



SVM/SVMT

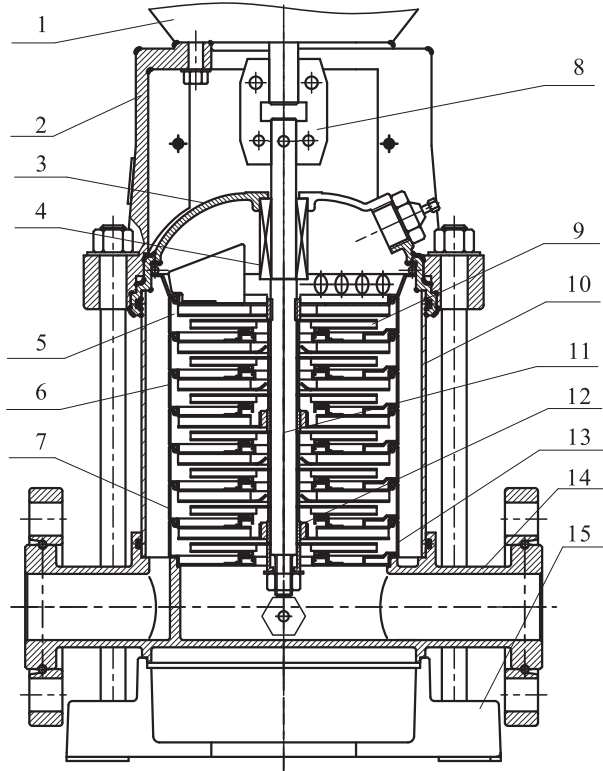


Dimension & Weight

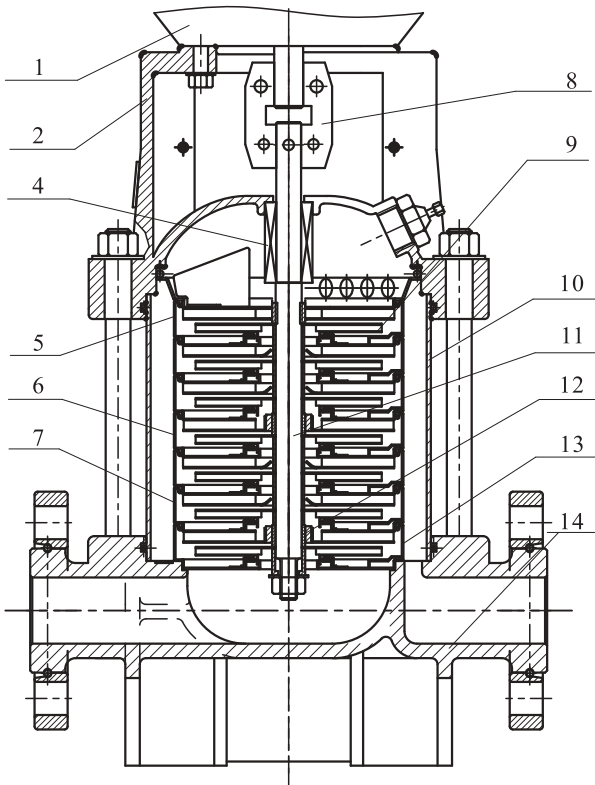
Model	Size (mm)					Net Weight (kg)
	B1	B2	B1+B2	D1	D2	
SVM2-20	258	225	483	148	117	20
SVM2-30	276	225	501	148	117	20
SVM2-40	294	225	519	148	117	22
SVM2-50	312	225	537	148	117	23
SVM2-60	340	245	585	170	142	26
SVM2-70	358	245	603	170	142	26
SVM2-90	394	245	639	170	142	28
SVM2-110	430	245	675	170	142	29
SVM2-130	476	290	766	190	155	35
SVM2-150	512	290	802	190	155	36
SVM2-180	566	290	856	190	155	41
SVM2-220	638	290	928	190	155	42
SVM2-260	720	345	1065	197	165	52

Stainless Steel Vertical Multistage Pump — SVM(T)2

Structure chart:SVM(T)1/2/3/4/5



SVM



SVMT

Material:SVM(T)1/2/3/4/5

No	Description	Material	AISI/ASTM
1	Motor	Assembling unit	
2	Support	Cast Iron/ Ductile iron	ASTM25B ASTM70-50-05
4	Mechanical seal	Assembling unit	
5	Outlet guide vane	Stainless Steel	AISI304
6	Guide vane	Stainless Steel	AISI304
7	Support guide vane	Stainless Steel	AISI304
8	Coupling	Ductile iron	ASTM70-50-05
9	Impeller	Stainless Steel	AISI304
10	Shell	Stainless Steel	AISI304
11	Pump Shaft	Stainless Steel	AISI304 AISI316L
12	Bearing	Tungsten Carbide	
13	Inlet guide vane	Stainless Steel	AISI304
SVM			
3	seal seat	Stainless Steel	AISI304
14	Inlet & outlet seat	Stainless Steel	AISI304
15	Seat	Cast Iron	ASTM25B
SVMT			
14	Inlet & outlet seat	Cast Iron	ASTM25B