

# Stainless Steel Vertical Multistage Pump — SVM(T)12

## Applications

- Water supply
- Industry pressure boosting
- Industry liquid transfer
- Water treatment
- Irrigation

## Motor

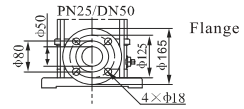
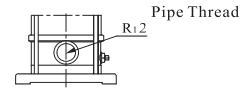
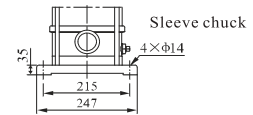
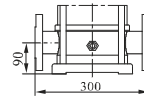
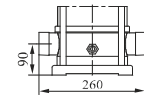
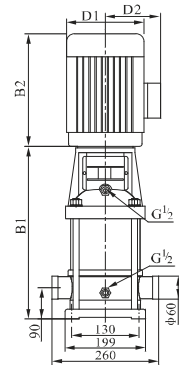
- Totally enclosed, air-cooled secondary standard motor
- Degree of protection: IP 55
- Insulation class: F
- Standard voltage: 1x220-230/240V (50Hz)
  - 3x200-220/346-380V
  - 3x220-240/380-415V
  - 3x220-255/380-440V
- Other voltage of the motor is available on request.
- Single phase motors from 0.37kW-2.2kW are available on request

## Operation conditions

- Thin, clean, non-flammable and explosive and not containing solid particles or fibers liquid.
- Liquid Temperature:
  - Normal temperature: +15°C~+70°C
  - Hot water: -15°C~+105°C
- Environment Temperature: Max. 40°C
- Altitude: Max. 1000m

## Material

- Inlet & outlet chamber: Cast iron/Stainless steel (304/316)
- Impeller: Stainless steel (304/316)
- Shell: Stainless steel (304/316)
- Shaft: Stainless steel (304/316)
- Coupling: Ductile iron
- Bearing: Tungsten carbide
- Mechanical seal: Tungsten Carbide / Graphite

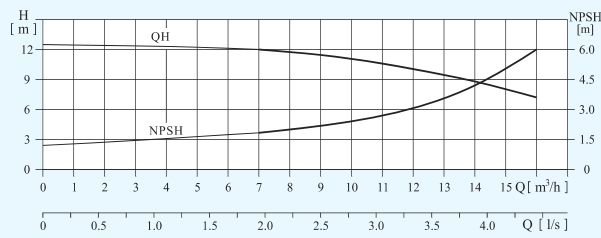
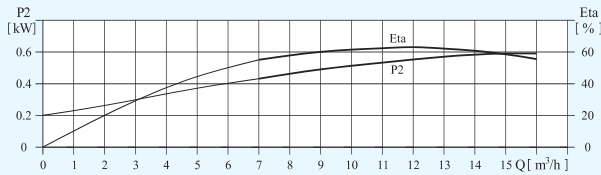
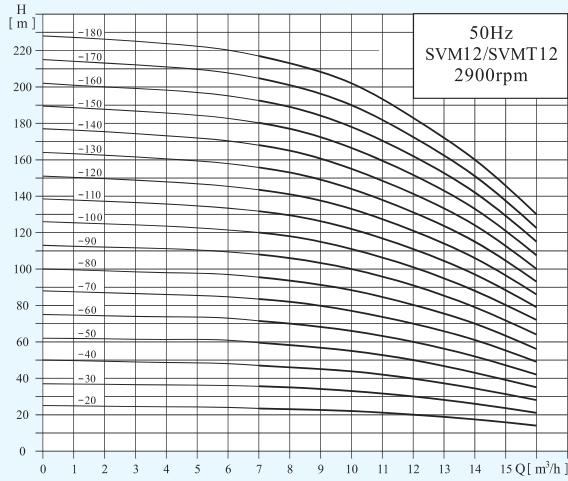


## Performance Table

| Model     | Associated motor(kW) | Q (m <sup>3</sup> /h) | 7     | 8   | 9     | 10  | 11    | 12  | 13    | 14  | 15    | 16  |
|-----------|----------------------|-----------------------|-------|-----|-------|-----|-------|-----|-------|-----|-------|-----|
| SVM12-20  | 1.5                  | H (m)                 | 23.5  | 23  | 22.5  | 22  | 21    | 20  | 18.5  | 17  | 15.5  | 14  |
| SVM12-30  | 2.2                  |                       | 35.5  | 35  | 34    | 33  | 31.5  | 30  | 28    | 26  | 23.5  | 21  |
| SVM12-40  | 3                    |                       | 47    | 46  | 45    | 44  | 42    | 40  | 37    | 34  | 31    | 28  |
| SVM12-50  | 3                    |                       | 59.5  | 58  | 56.5  | 55  | 52.5  | 50  | 46.5  | 43  | 39    | 35  |
| SVM12-60  | 4                    |                       | 71.5  | 70  | 68    | 66  | 63    | 60  | 56    | 52  | 47    | 42  |
| SVM12-70  | 5.5                  |                       | 83.5  | 82  | 79.5  | 77  | 73.5  | 70  | 65.5  | 61  | 55    | 49  |
| SVM12-80  | 5.5                  |                       | 95.5  | 94  | 91    | 88  | 84    | 80  | 75    | 70  | 63    | 56  |
| SVM12-90  | 5.5                  |                       | 108   | 106 | 103   | 100 | 95.5  | 91  | 85    | 79  | 71.5  | 64  |
| SVM12-100 | 7.5                  |                       | 120   | 118 | 114.5 | 111 | 106   | 101 | 94.5  | 88  | 80    | 72  |
| SVM12-120 | 7.5                  |                       | 143.5 | 141 | 137   | 133 | 127   | 121 | 113.5 | 106 | 96    | 86  |
| SVM12-140 | 9.2                  |                       | 168   | 165 | 160   | 155 | 148   | 141 | 132.5 | 124 | 112   | 100 |
| SVM12-160 | 11                   |                       | 192.5 | 189 | 183.5 | 178 | 170   | 162 | 152   | 142 | 128.5 | 115 |
| SVM12-180 | 11                   |                       | 217   | 213 | 207.5 | 202 | 192.5 | 183 | 171.5 | 160 | 145   | 130 |

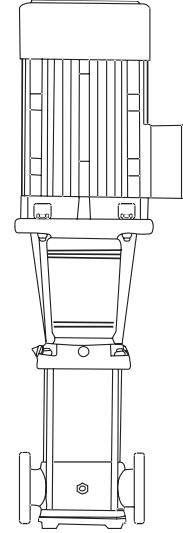
# Stainless Steel Vertical Multistage Pump — SVM(T)12

## Performance Curves

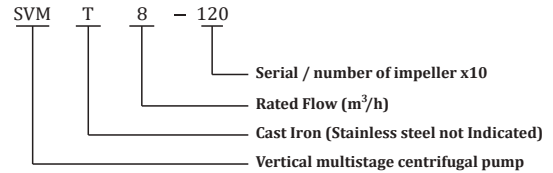


## Model Description

SVM(T)1/2/3/4/5/8/10/12/15/16/20



**SVM/SVMT**

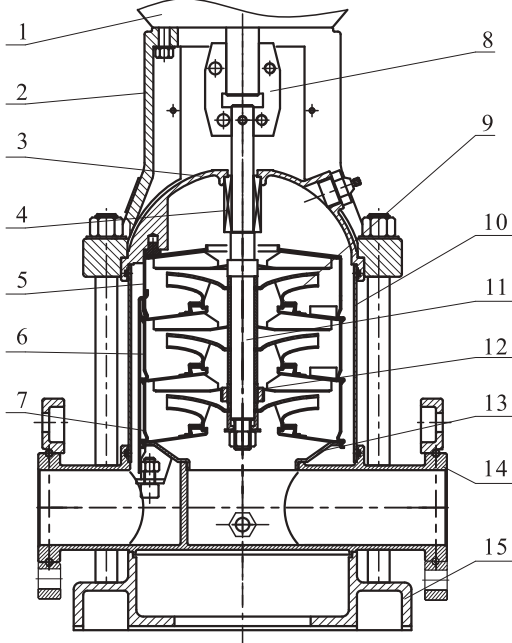


## Dimension & Weight

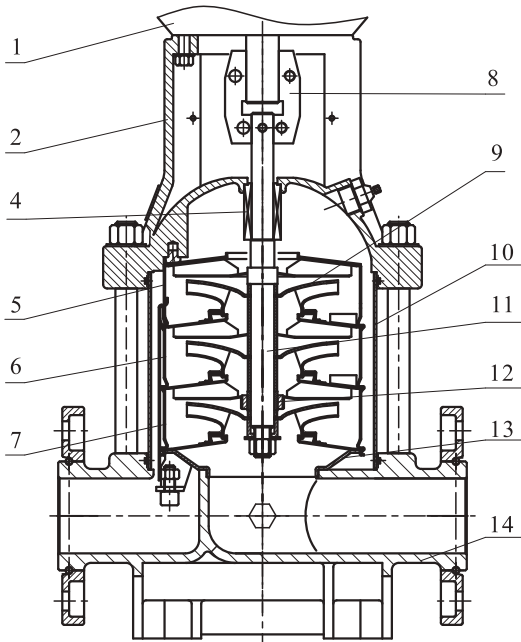
| Model     | Size (mm) |     |       |     |     | Net Weight (kg) |
|-----------|-----------|-----|-------|-----|-----|-----------------|
|           | B1        | B2  | B1+B2 | D1  | D2  |                 |
| SVM12-20  | 367       | 290 | 657   | 190 | 155 | 39              |
| SVM12-30  | 397       | 290 | 687   | 190 | 155 | 43              |
| SVM12-40  | 437       | 345 | 782   | 197 | 165 | 51              |
| SVM12-50  | 467       | 345 | 812   | 197 | 165 | 53              |
| SVM12-60  | 497       | 355 | 852   | 230 | 188 | 61              |
| SVM12-70  | 547       | 390 | 937   | 260 | 208 | 73              |
| SVM12-80  | 577       | 390 | 967   | 260 | 208 | 74              |
| SVM12-90  | 607       | 390 | 997   | 260 | 208 | 76              |
| SVM12-100 | 637       | 390 | 1027  | 260 | 208 | 83              |
| SVM12-120 | 697       | 390 | 1087  | 260 | 208 | 87              |
| SVM12-140 | 757       | 390 | 1147  | 260 | 208 | 108             |
| SVM12-160 | 905       | 500 | 1405  | 330 | 255 | 161             |
| SVM12-180 | 965       | 500 | 1465  | 330 | 255 | 164             |

# Stainless Steel Vertical Multistage Pump — SVM(T)12

## Structure chart: SVM(T)8/10/12/15/16/20



SVM



SVMT

## Material:SVM(T)8/10/12/15/16/20

| No          | Description        | Material                   | AISI/ASTM               |
|-------------|--------------------|----------------------------|-------------------------|
| 1           | Motor              | Assembling unit            |                         |
| 2           | Support            | Cast Iron/<br>Ductile iron | ASTM25B<br>ASTM70-50-05 |
| 4           | Mechanical seal    | Assembling unit            |                         |
| 5           | Outlet guide vane  | Stainless Steel            | AISI304                 |
| 6           | Guide vane         | Stainless Steel            | AISI304                 |
| 7           | Support guide vane | Stainless Steel            | AISI304                 |
| 8           | Coupling           | Ductile iron               | ASTM70-50-05            |
| 9           | Impeller           | Stainless Steel            | AISI304                 |
| 10          | Shell              | Stainless Steel            | AISI304                 |
| 11          | Pump Shaft         | Stainless Steel            | AISI304<br>AISI316L     |
| 12          | Bearing            | Tungsten Carbide           |                         |
| 13          | Inlet guide vane   | Stainless Steel            | AISI304                 |
| <b>SVM</b>  |                    |                            |                         |
| 3           | seal seat          | Stainless Steel            | AISI304                 |
| 14          | Inlet &outlet seat | Stainless Steel            | AISI304                 |
| 15          | Seat               | Cast Iron                  | ASTM25B                 |
| <b>SVMT</b> |                    |                            |                         |
| 14          | Inlet &outlet seat | Cast Iron                  | ASTM25B                 |