

# Stainless Steel Vertical Multistage Pump — 60Hz — SVM(T)120

## Applications

- Water supply
- Industry pressure boosting
- Industry liquid transfer
- Water treatment
- Irrigation

## Motor

- Full - enclosed, air-blast two - pole standard motor
- Protection: IP 55
- Insulation class: F
- Standard voltage: 3x200-230/346-400V (60Hz)
  - 3x220-255/380-440V
  - 3x220-277/380-480V

## Operation conditions

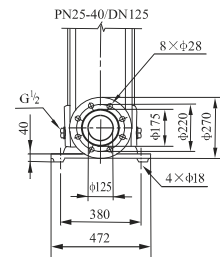
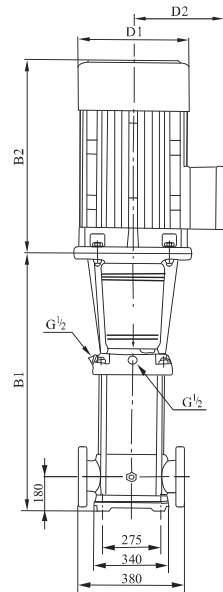
- Thin, clean, non-flammable and non - explosive liquid containing no solid granules and fibers.
- Liquid Temperature:
  - Normal temperature: +15°C~+70°C
  - Hot water: -15°C~+105°C
- Ambient Temperature: up to +40°C
- Altitude: up to 1000m

## Material

- Inlet & outlet chamber: Cast iron/Stainless steel (304/316)
- Impeller: Stainless steel (304/316)
- Shell: Stainless steel (304/316)
- Shaft: Stainless steel (304/316)
- Coupling: Ductile iron
- Bearing: Tungsten carbide
- Mechanical seal: Tungsten Carbide / Graphite

## Performance table

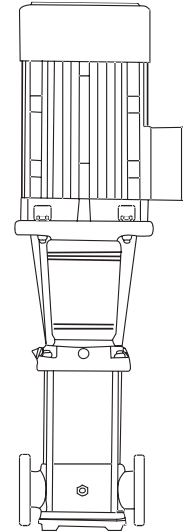
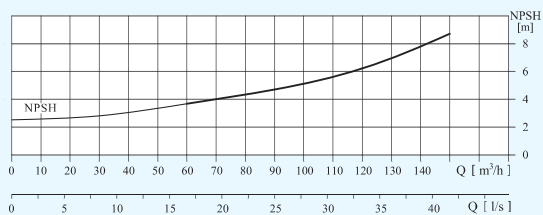
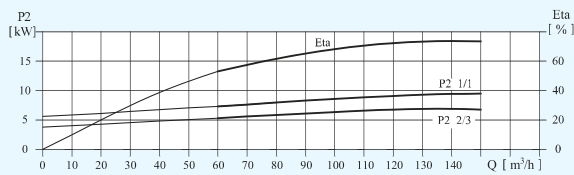
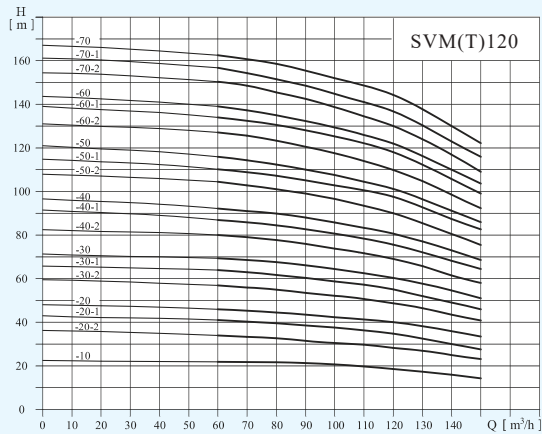
Model	Driving motor		Q (m <sup>3</sup> /h)	60	70	80	90	100	110	120	130	140	150	160
	(kW)	(hp)												
SVM120-10-1	15	20		26.5	26	25	24.5	23.8	23	22.5	21.5	21.3	21	20
SVM120-10	18.5	25		30.8	30.7	30.7	30.5	30.3	29.5	28.8	27.6	26.4	25.4	24.4
SVM120-20-2	30	40		51.5	50.5	49.5	47.5	46	45.5	44.8	43	41	39.7	38.5
SVM120-20-1	30	40		58.3	58	57.3	56	54.7	54	53	51.5	50	47.4	45
SVM120-20	37	50		66.3	66	65.7	65	64.4	63	62	60.7	59.6	57	54.6
SVM120-30-2	45	60	H (m)	83	82	81	79.5	78	76	74.5	73.5	71	68.5	65
SVM120-30-1	45	60		91.3	91	90.4	89	87.7	86	84.4	82	80	76.7	73.3
SVM120-30	55	75		100.3	100	99.4	98.3	97.3	95.5	94	92	90	86.3	82.7
SVM120-40-2	75	100		116	115.5	114	113	111	109	105.5	104	100	97	93
SVM120-40-1	75	100		126	125.4	124.6	122.6	120.6	118.5	116.5	114	111.3	107	103
SVM120-40	75	100		134	133	132	131	129.5	127.5	125	122	119	114.5	109.5
SVM120-5-2	75	100		152	151	149.7	147	144	141.5	139	135.5	132	127	122



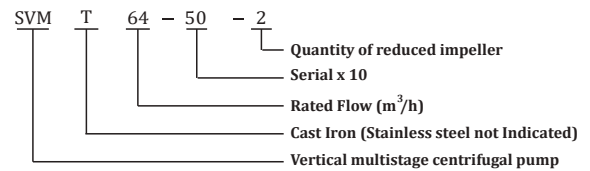
# Stainless Steel Vertical Multistage Pump — 60Hz — SVM(T)120

## Performance Curves

## Model Description SVM(T)32/45/64/90/120/150



**SVM/SMVT**

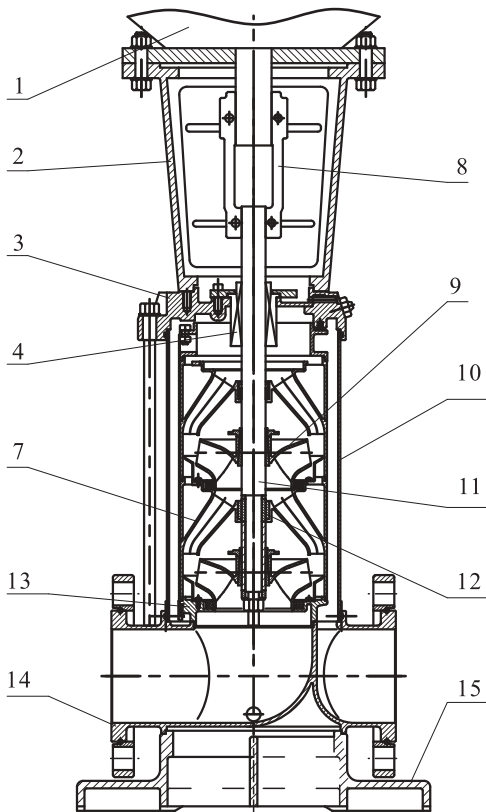


## Size and weight

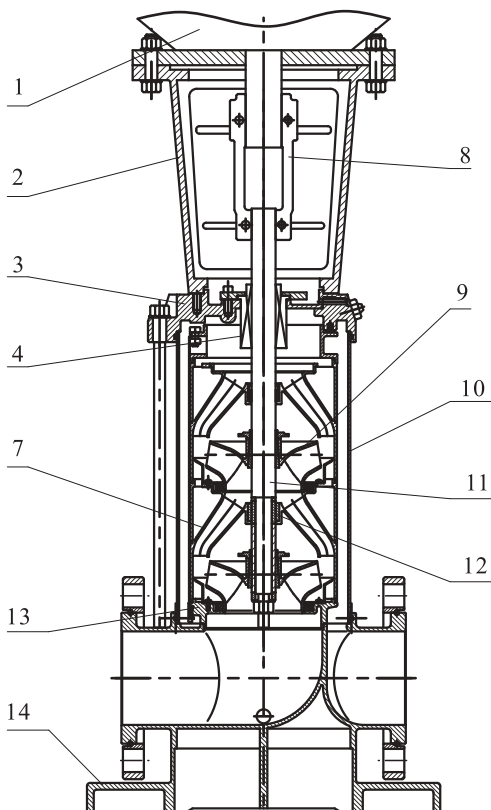
Model	Size (mm)					Weight (kg)
	B1	B2	B1+B2	D1	D2	
SVM120-10-1	840	490	1330	330	255	235
SVM120-10	840	550	1390	330	255	250
SVM120-20-2	1000	660	1660	400	310	350
SVM120-20-1	1000	660	1660	400	310	350
SVM120-20	1000	660	1660	400	310	380
SVM120-30-2	1160	700	1860	460	340	445
SVM120-30-1	1160	700	1860	460	340	445
SVM120-30	1190	770	1960	510	370	545
SVM120-40-2	1350	845	2195	580	410	675
SVM120-40-1	1350	845	2195	580	410	675
SVM120-40	1350	845	2195	580	410	675
SVM120-5-2	1510	845	2355	580	410	690

# Stainless Steel Vertical Multistage Pump — 60Hz — SVM(T)120 —

## Structure chart:SVM(T)120/150/200 Material:SVM(T)120/150/200



SVM



No	Description	Material	AISI/ASTM
1	Motor	Assembling unit	
2	Frame	Cast Iron/Ductile iron	ASTM25B ASTM70-50-05
4	Seal	Assembling unit	
7	Support guide vane	Stainless Steel	AISI304
8	Coupling	Ductile iron	ASTM7-50-05
9	Impeller	Stainless Steel	AISI304
10	Shell	Stainless Steel	AISI304
11	Pump Shaft	Stainless Steel	AISI304 AISI316L AISI431
12	Bearing	Tungsten Carbide	
13	Inlet guide vane	Stainless Steel	AISI304
<b>SVM</b>			
3	seal seat	Stainless Steel	AISI304
14	Inlet & outlet seat	Stainless Steel	AISI304
15	Seat	Ductile iron	ASTM70-50-05
<b>SVMT</b>			
3	seal seat	Ductile iron	ASTM70-50-05
14	Inlet & outlet seat	Cast Iron/Ductile iron	ASTM25B ASTM7-50-05