

# Stainless Steel Vertical Multistage Pump — SVM(T)120

## Applications

- Water supply
- Industry pressure boosting
- Industry liquid transfer
- Water treatment
- Irrigation

## Motor

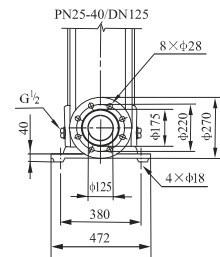
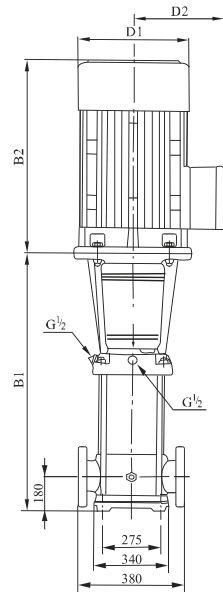
- Totally enclosed, air-cooled secondary standard motor
- Degree of protection: IP 55
- Insulation class: F
- Standard voltage: 1x220-230/240V (50Hz)
  - 3x200-220/346-380V
  - 3x220-240/380-415V
  - 3x220-255/380-440V
- Other voltage of the motor is available on request.
- Single phase motors from 0.37kW-2.2kW are available on request

## Operation conditions

- Thin, clean, non-flammable and explosive and not containing solid particles or fibers liquid.
- Liquid Temperature:
  - Normal temperature: +15°C~+70°C
  - Hot water: -15°C~+105°C
- Environment Temperature: Max. 40°C
- Altitude: Max. 1000m

## Material

- Inlet & outlet chamber: Cast iron/Stainless steel (304/316)
- Impeller: Stainless steel (304/316)
- Shell: Stainless steel (304/316)
- Shaft: Stainless steel (304/316)
- Coupling: Ductile iron
- Bearing: Tungsten carbide
- Mechanical seal: Tungsten Carbide / Graphite

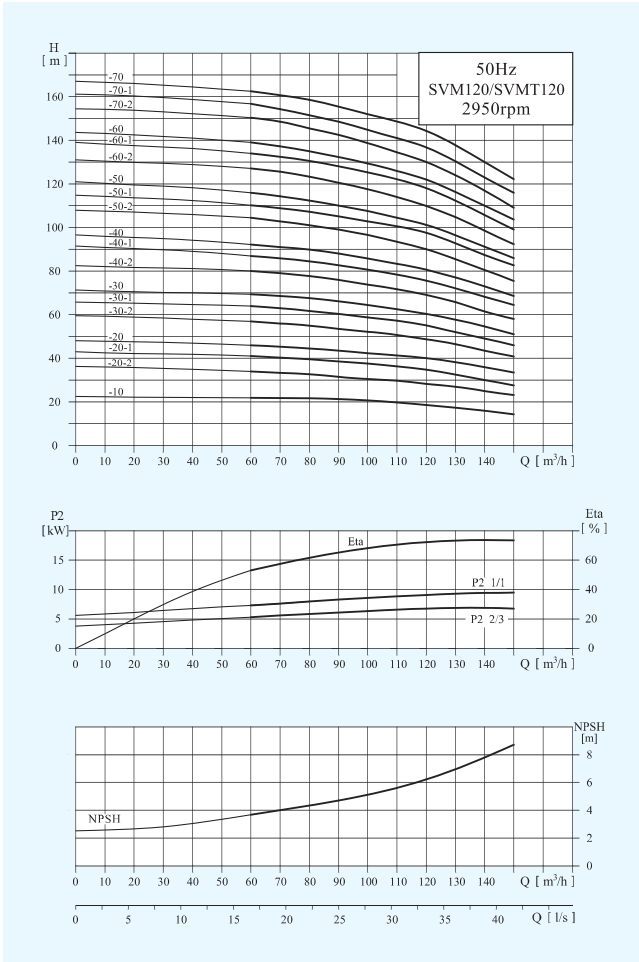


## Performance Table

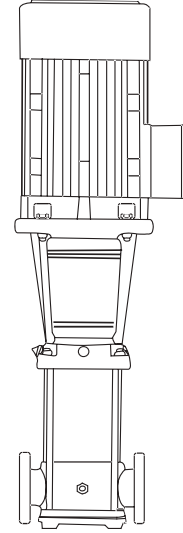
Model	Associated motor(kW)	Q (m <sup>3</sup> /h)	60	70	80	90	100	110	120	130	140	150
SVM120-10	11	H (m)	22	21.8	21.6	21	20.5	19.5	18.5	17	16	15
SVM120-20-2	15		34	33.6	33	31	30.2	30	28.5	27	25	24
SVM120-20-1	18.5		41	40	39.5	38.5	37	36.5	34.5	32.5	30	27.5
SVM120-20	22		46	45	44.5	43.5	42.4	41	40	38	36	33.5
SVM120-30-2	26		57	56	55	53.5	52	51	49	46.5	43.5	41
SVM120-30-1	30		64	63	62	60	58.5	57.5	55.5	52	49	46
SVM120-30	30		69.5	68.5	67.5	66	64.4	62.5	61	57.5	54.5	51
SVM120-40-2	37		80.5	79	78	76	73.5	72	69	66	61.5	58
SVM120-40-1	37		87	86	84.5	82	80	78	76	72	68	64.5
SVM120-40	45		92.5	91	90	88	85.5	83	81	77	73	68.5
SVM120-50-2	45		104.5	103	101	99	96	93	90	85.5	80.5	75.5
SVM120-50-1	45		110.5	109	107.5	105	102	100	97	92	86.5	83
SVM120-50	55		115.5	114	113	110	107.5	104.5	101.5	96	91	86
SVM120-60-2	55		128	125.5	123	121	117.3	113.5	110	104.5	98.5	92.5
SVM120-60-1	55		134	132	130.5	127	124	121	118	111	105	100
SVM120-60	75		139	137	135	132	128.8	126	123	116	110	104
SVM120-70-2	75		151	148	145.5	143	138.6	134	130	123.5	116.5	109
SVM120-70-1	75		156.5	154	152	148.5	144.5	141	137.5	130	123	116.5
SVM120-70	75		162.5	160.5	158.5	155	151	148	145	137	129	123

# Stainless Steel Vertical Multistage Pump — SVM(T)120

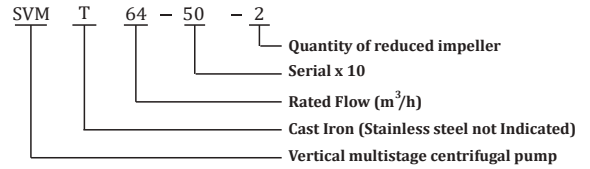
## Performance Curves



## Model Description SVM(T)32/45/64/90/120/150



**SVM/SVMT**

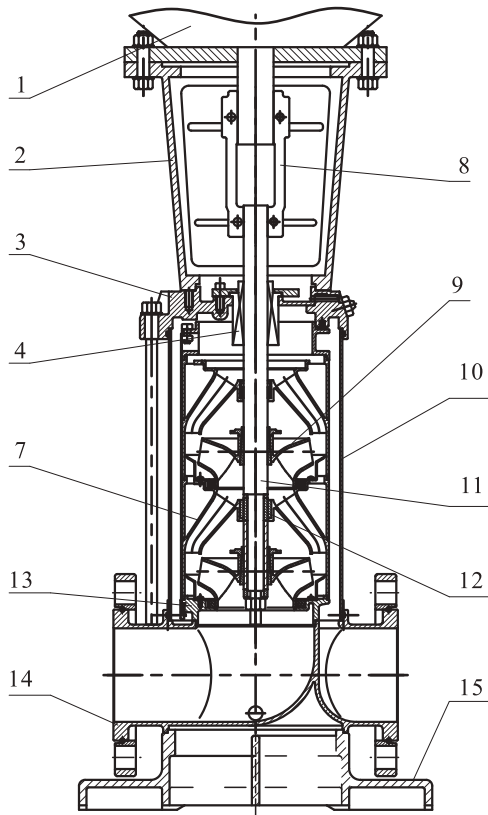


## Dimension&Weight

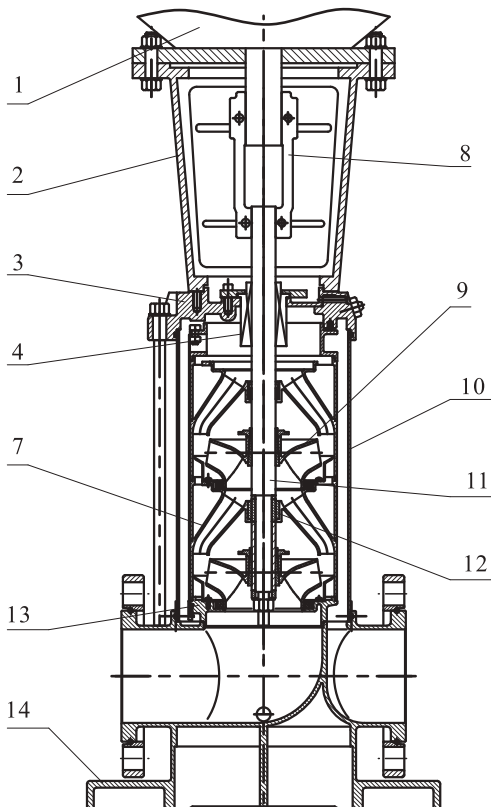
Model	Size (mm)					Net Weight (kg)
	B1	B2	B1+B2	D1	D2	
SVM120-10	840	500	1340	330	255	230
SVM120-20-2	1000	500	1500	330	255	245
SVM120-20-1	1000	550	1550	330	255	250
SVM120-20	1000	575	1575	360	285	285
SVM120-30-2	1160	575	1735	360	285	326
SVM120-30-1	1160	650	1810	400	310	360
SVM120-30	1160	650	1810	400	310	360
SVM120-40-2	1320	650	1970	400	310	400
SVM120-40-1	1320	650	1970	400	310	400
SVM120-40	1320	685	2005	460	340	460
SVM120-50-2	1480	685	2165	460	340	470
SVM120-50-1	1480	685	2165	460	340	470
SVM120-50	1510	760	2270	540	370	575
SVM120-60-2	1670	760	2430	540	370	585
SVM120-60-1	1670	760	2430	540	370	585
SVM120-60	1830	845	2515	580	410	705
SVM120-70-2	1830	845	2675	580	410	715
SVM120-70-1	1830	845	2675	580	410	715
SVM120-70	1830	845	2675	580	410	715

# Stainless Steel Vertical Multistage Pump — SVM(T)120

## Structure chart:SVM(T)120/150/200 Material:SVM(T)120/150/200



SVM



No	Description	Material	AISI/ASTM
1	Motor	Assembling unit	
2	Frame	Cast Iron/Ductile iron	ASTM25B ASTM70-50-05
4	Seal	Assembling unit	
7	Support guide vane	Stainless Steel	AISI304
8	Coupling	Ductile iron	ASTM7-50-05
9	Impeller	Stainless Steel	AISI304
10	Shell	Stainless Steel	AISI304
11	Pump Shaft	Stainless Steel	AISI304 AISI316L AISI431
12	Bearing	Tungsten Carbide	
13	Inlet guide vane	Stainless Steel	AISI304
<b>SVM</b>			
3	seal seat	Stainless Steel	AISI304
14	Inlet & outlet seat	Stainless Steel	AISI304
15	Seat	Ductile iron	ASTM70-50-05
<b>SVMT</b>			
3	seal seat	Ductile iron	ASTM70-50-05
14	Inlet & outlet seat	Cast Iron/Ductile iron	ASTM25B ASTM7-50-05