

# Stainless Steel Vertical Multistage Pump — 60Hz — SVM(T)10

## Applications

- Water supply
- Industry pressure boosting
- Industry liquid transfer
- Water treatment
- Irrigation

## Motor

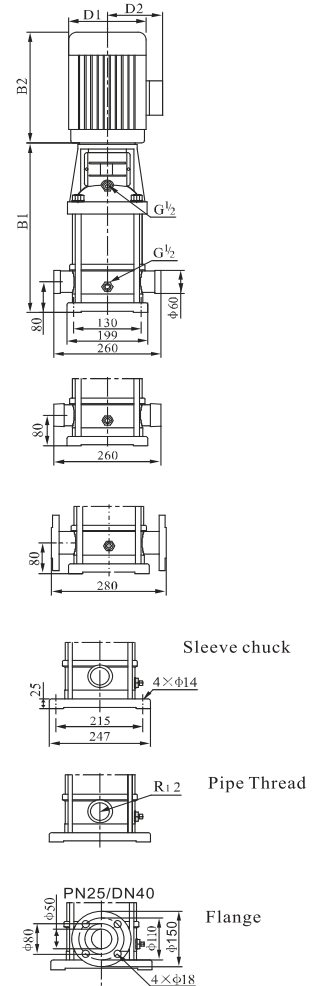
- Full - enclosed, air-blast two - pole standard motor
- Protection: IP 55
- Insulation class: F
- Standard voltage: 3x200-230/346-400V (60Hz)
  - 3x220-255/380-440V
  - 3x220-277/380-480V

## Operation conditions

- Thin, clean, non-flammable and non - explosive liquid containing no solid granules and fibers.
- Liquid Temperature:
  - Normal temperature: +15°C~+70°C
  - Hot water: -15°C~+105°C
- Ambient Temperature: up to +40°C
- Altitude: up to 1000m

## Material

- Inlet & outlet chamber: Cast iron/Stainless steel (304/316)
- Impeller: Stainless steel (304/316)
- Shell: Stainless steel (304/316)
- Shaft: Stainless steel (304/316)
- Coupling: Ductile iron
- Bearing: Tungsten carbide
- Mechanical seal: Tungsten Carbide / Graphite

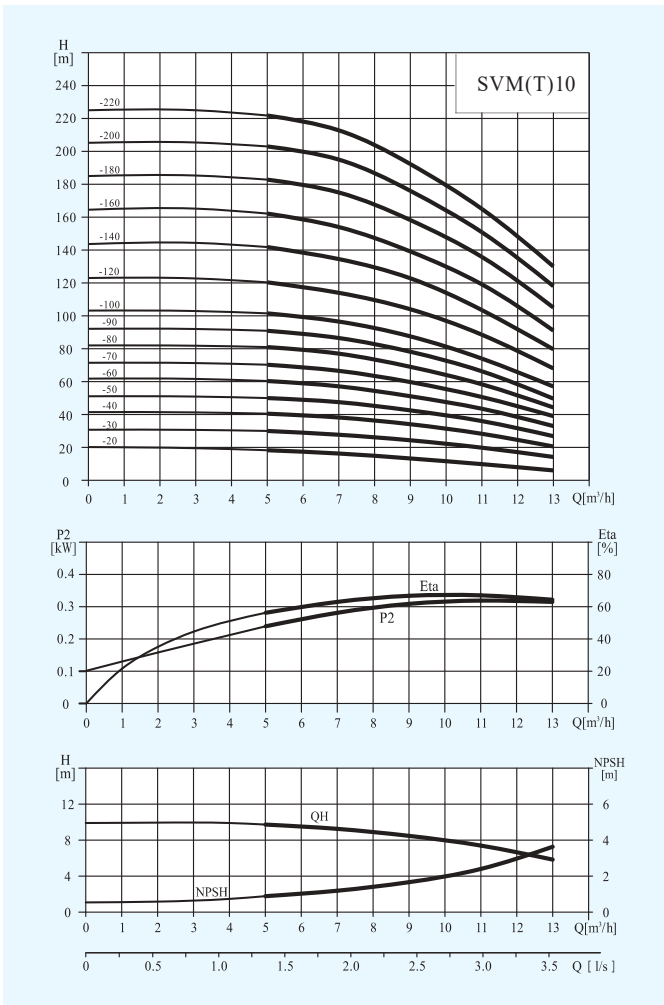


## Performance table

Model	Driving motor		Q (m <sup>3</sup> /h)	7	9	10	11	12	13	15
	(kW)	(hp)								
SVM10-20	1.5	2		26.5	24	22	20.5	19	16.5	12
SVM10-30	2.2	3		42	39.5	38	35	33	30	23
SVM10-40	3	4		57.5	54	52.5	49.5	46	43	32
SVM10-50	3	4		72.5	69	66.5	62.5	59	55	41.5
SVM10-60	4	5.5		87.5	83	80	76	71.5	66.5	51.5
SVM10-70	5.5	7.5		102.5	97	93.5	89	84	78	61
SVM10-80	5.5	7.5	H (m)	117.5	111	107	102	96	89.5	71
SVM10-90	5.5	7.5		132	125	120.5	115	108	101	80.5
SVM10-100	7.5	10		146.5	139	134	128	120	112.5	90
SVM10-110	7.5	10		161.5	153	147.5	141	132	124	100
SVM10-120	7.5	10		176.5	167	161	154	144	135.5	109.5
SVM10-130	11	15		191.5	181	175	167	156	147	119
SVM10-150	11	15		220.5	209	202	193	180	170	137.5
SVM10-170	11	15		249.5	237	229	218.5	204	192.5	156

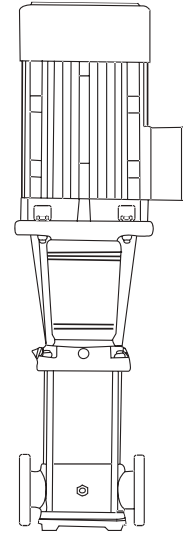
# Stainless Steel Vertical Multistage Pump — 60Hz — SVM(T)10

## Performance Curves

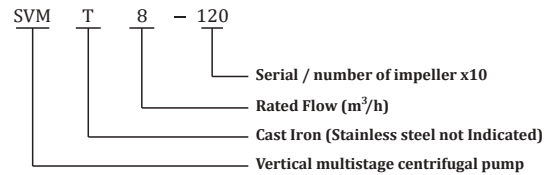


## Model Description

SVM(T)1/2/3/4/5/8/10/12/15/16/20



**SVM/VSMT**

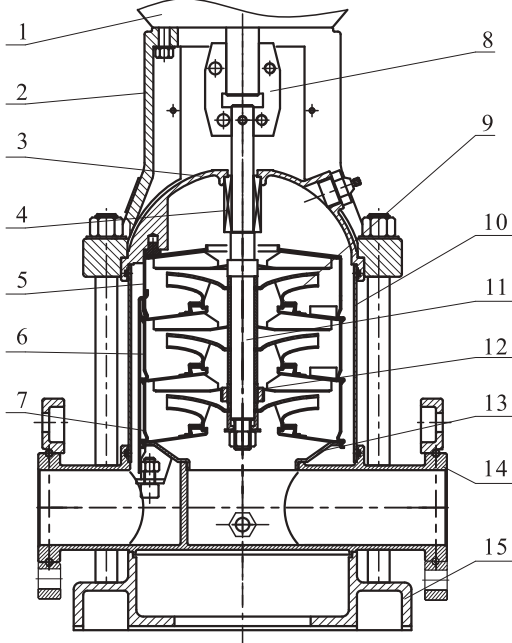


## Size and weight

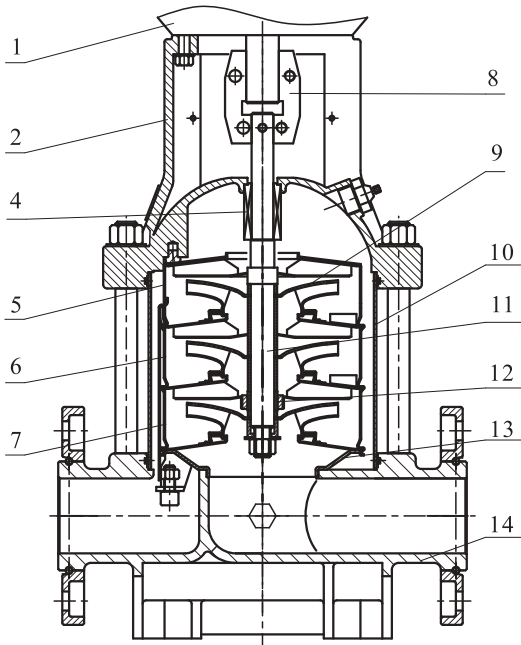
Model	Size (mm)					Weight (kg)
	B1	B2	B1+B2	D1	D2	
SVM10-20	357	310	667	190	155	39
SVM10-30	387	310	697	190	155	42
SVM10-40	427	350	777	197	165	49
SVM10-50	457	350	807	197	165	49
SVM10-60	487	360	847	230	185	59
SVM10-70	537	400	937	260	210	76
SVM10-80	567	400	967	260	210	76
SVM10-90	597	400	997	260	210	77
SVM10-100	627	400	1027	260	210	87
SVM10-110	657	400	1057	260	210	87
SVM10-120	687	400	1087	260	210	88
SVM10-130	805	510	1315	330	255	142
SVM10-150	865	510	1375	330	255	143
SVM10-170	925	510	1435	330	255	144

# Stainless Steel Vertical Multistage Pump — 60Hz — SVM(T)10 —

## Structure chart: SVM(T)8/10/12/15/16/20



SVM



SVMT

## Material:SVM(T)8/10/12/15/16/20

No	Description	Material	AISI/ASTM
1	Motor	Assembling unit	
2	Support	Cast Iron/ Ductile iron	ASTM25B ASTM70-50-05
4	Mechanical seal	Assembling unit	
5	Outlet guide vane	Stainless Steel	AISI304
6	Guide vane	Stainless Steel	AISI304
7	Support guide vane	Stainless Steel	AISI304
8	Coupling	Ductile iron	ASTM70-50-05
9	Impeller	Stainless Steel	AISI304
10	Shell	Stainless Steel	AISI304
11	Pump Shaft	Stainless Steel	AISI304 AISI316L
12	Bearing	Tungsten Carbide	
13	Inlet guide vane	Stainless Steel	AISI304
<b>SVM</b>			
3	seal seat	Stainless Steel	AISI304
14	Inlet & outlet seat	Stainless Steel	AISI304
15	Seat	Cast Iron	ASTM25B
<b>SVMT</b>			
14	Inlet & outlet seat	Cast Iron	ASTM25B