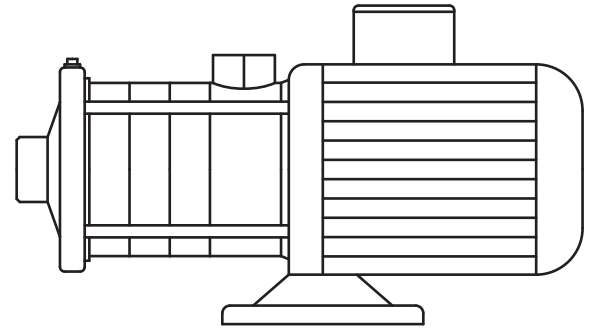
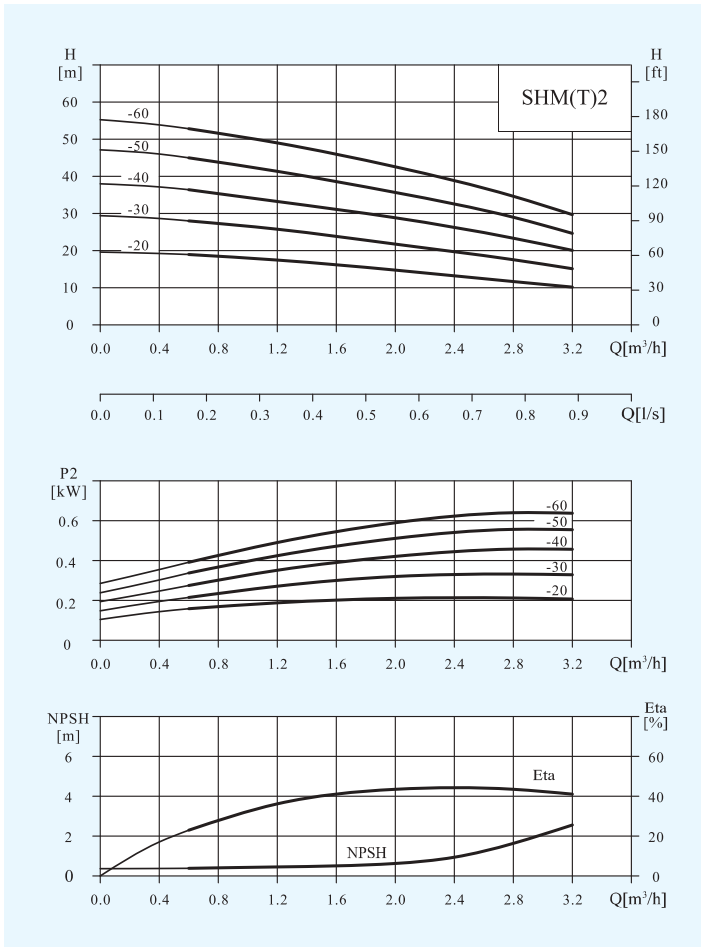


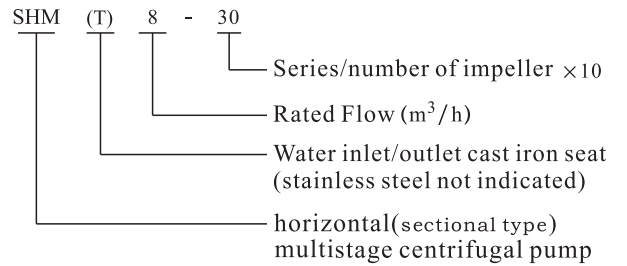


# Stainless Steel Horizontal Multistage Pump — 60Hz — SHM(T)2

## Performance Curves



## SHM/SHMT

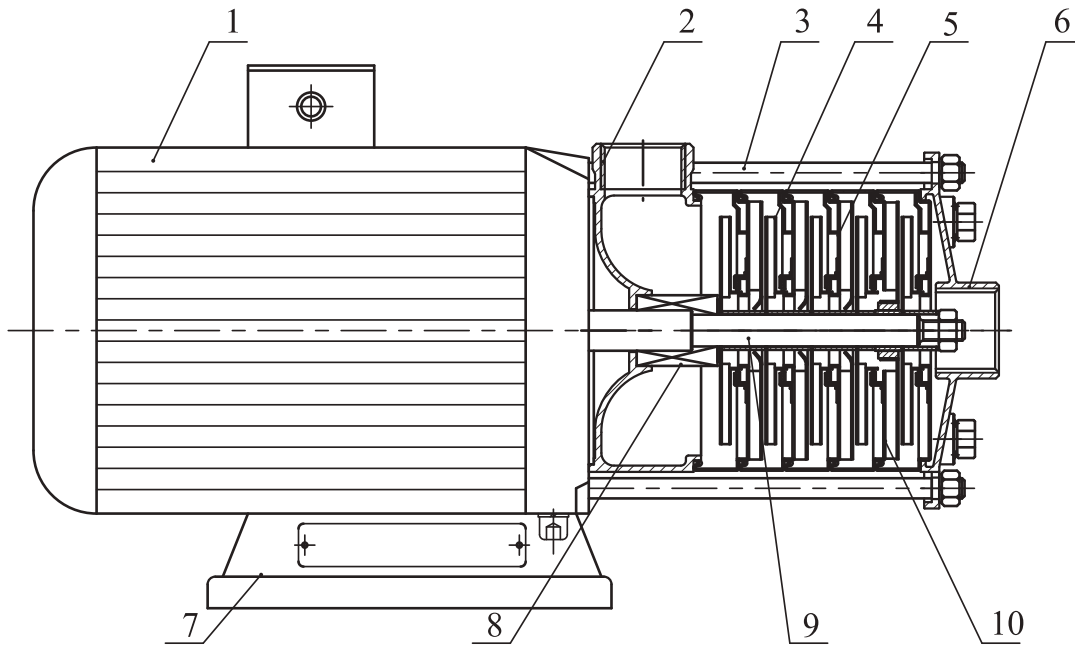


## Size and weight

Motor	Model	Size (mm)								Weight (kg)
		L1	L2	L3	E	H	N	D	K	
Three-phase/ single-phase	SHM2-20	305	87	84	182	230/230	110	145	/96	15
	SHM2-30	370	105	102	182	230/245	110	170	/100	17
	SHM2-40	388	123	120	182	230/245	110	170	/100	17
	SHM2-50	406	141	138	182	230/245	110	170	/100	17
	SHM2-60	465	159	156	190	240/260	118	170	/100	20

# Stainless Steel Horizontal Multistage Pump — 60Hz — SHM(T)2

## Structure chart:SHM



## Material SHM

No.	Name	Material	AISI / ASTM
1	Suction	Stainless steel	AISI304
2	Plug	Stainless steel	AISI304
3	Bearing	Tungsten carbide	
4	Impeller	Stainless steel	AISI304
5	Shaft	Stainless steel	AISI304
7	Discharge	Stainless steel	AISI304
8	Mechanical seal		
9	Motor end cover	Aluminum alloy	
10	Base plate	Cast iron	ASTM25B
11	Staybolt	Stainless steel	AISI304
12	Diffuser	Stainless steel	AISI304
13	Support diffuser	Stainless steel	AISI304
14	Impeller sleeve	Stainless steel	AISI304