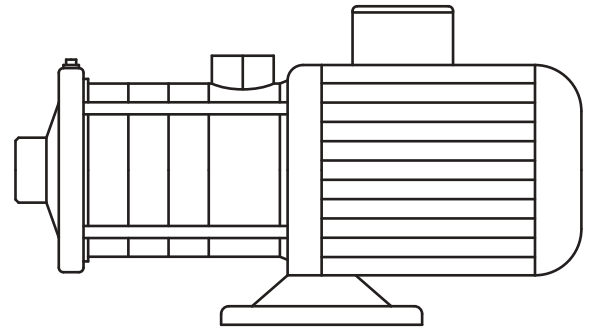
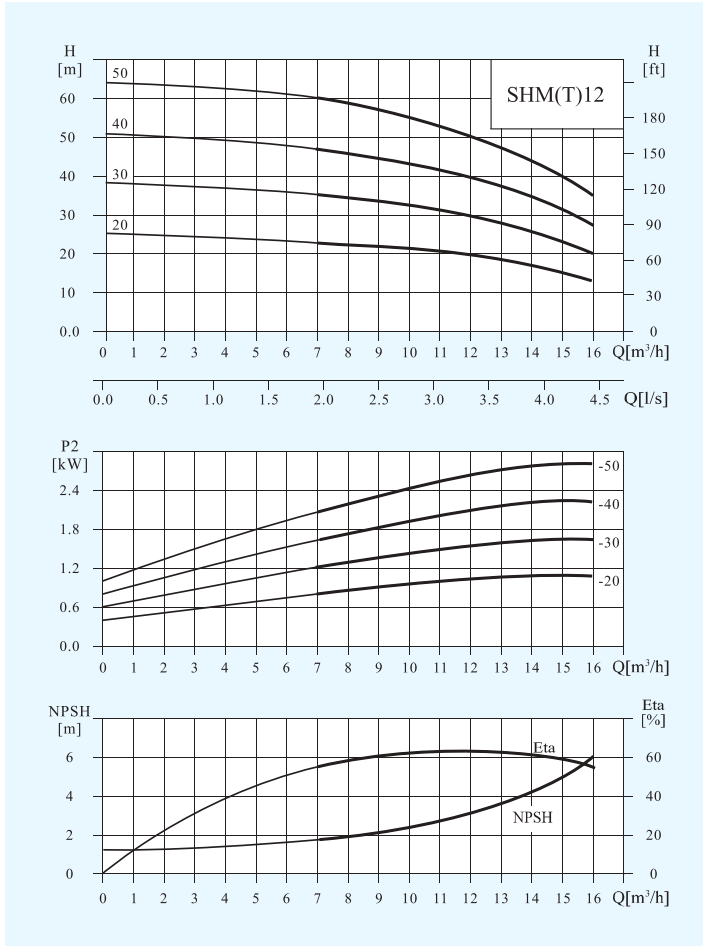
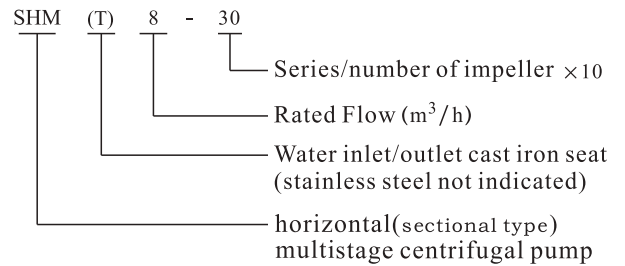


Stainless Steel Horizontal Multistage Pump — 60Hz — SHM(T)12 —

Performance Curves



SHM/SHMT

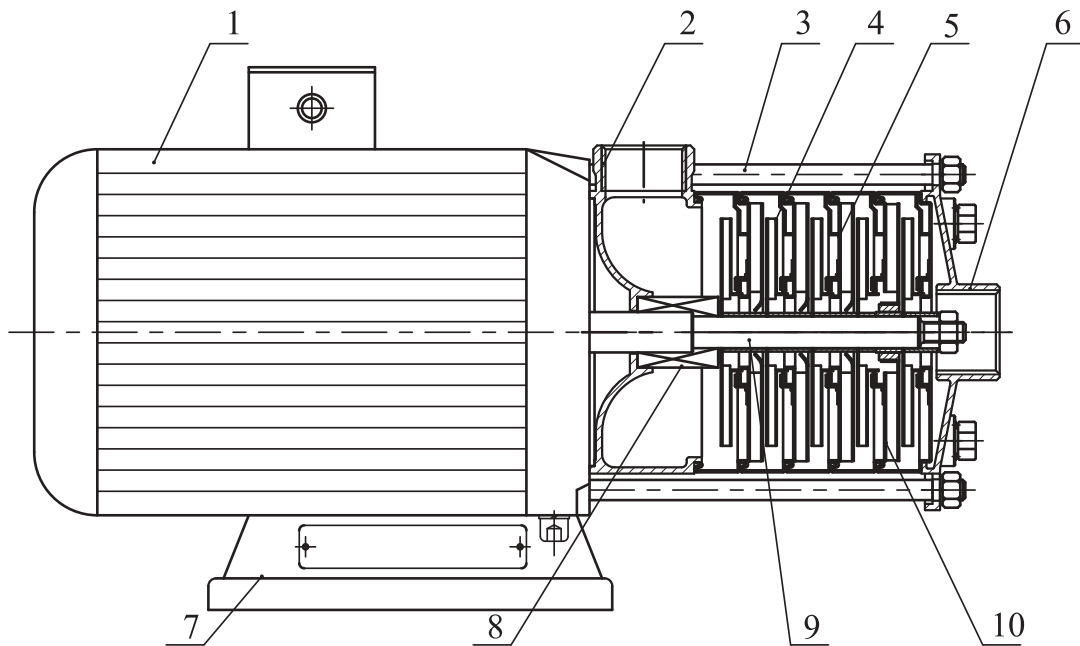


Size and weight

Motor	Model	Size (mm)													Weight (kg)
		L1	L2	L3	H	D	E	N	A	M	B	J	d	K	
Three-phase/ single-phase	SHF(T)12-10	395	126	108	230/265	180	227	117	130	108	160	138	9	/100	22
	SHF(T)12-20	430	126	108	240/270	180	228	118	130	108	160	138	9	/100	25
	SHF(T)12-30	510	156	138	270/	195	240	130	130	108	160	138	9		32
	SHF(T)12-40	565	285	168	270/	220	230	120	230	190	170	140	12		44
	SHF(T)12-50	620	325	198	305/	255	242	132	260	216	190	140	12		58

— Stainless Steel Horizontal Multistage Pump — 60Hz — SHM(T)12 —

Structure chart:SHM



Material SHM

No.	Name	Material	AISI / ASTM
1	Suction	Stainless steel	AISI304
2	Plug	Stainless steel	AISI304
3	Bearing	Tungsten carbide	
4	Impeller	Stainless steel	AISI304
5	Shaft	Stainless steel	AISI304
7	Discharge	Stainless steel	AISI304
8	Mechanical seal		
9	Motor end cover	Aluminum alloy	
10	Base plate	Cast iron	ASTM25B
11	Staybolt	Stainless steel	AISI304
12	Diffuser	Stainless steel	AISI304
13	Support diffuser	Stainless steel	AISI304
14	Impeller sleeve	Stainless steel	AISI304