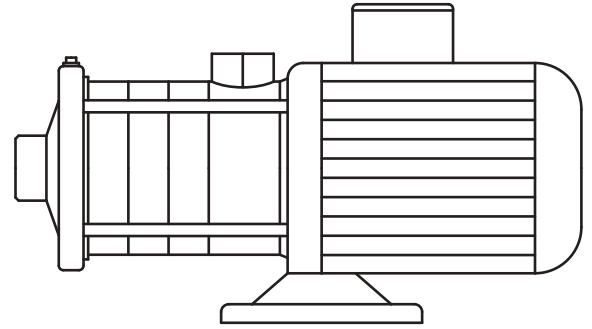
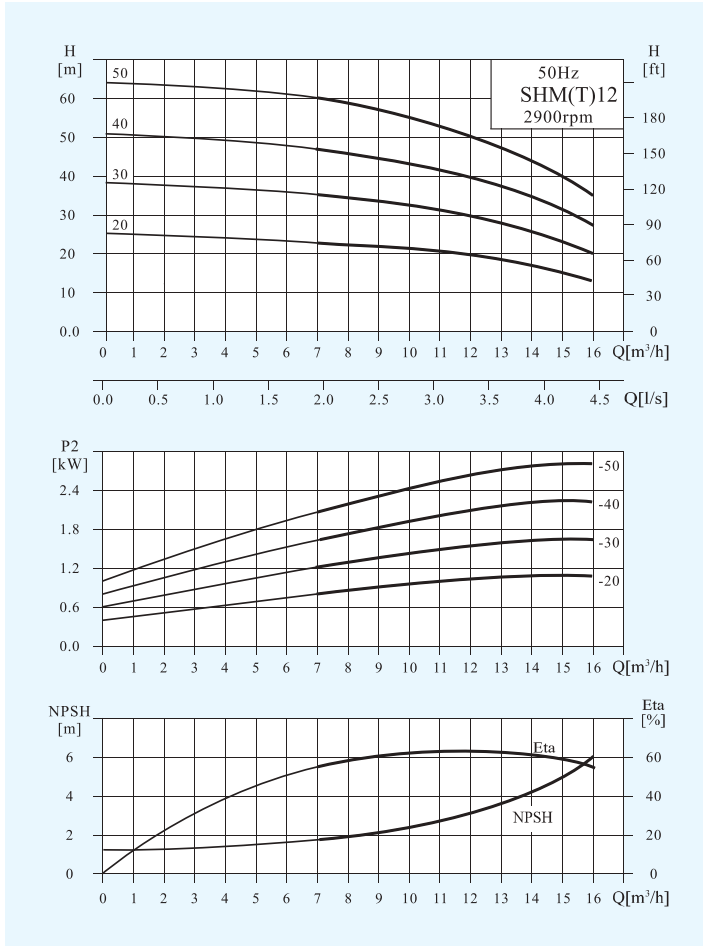
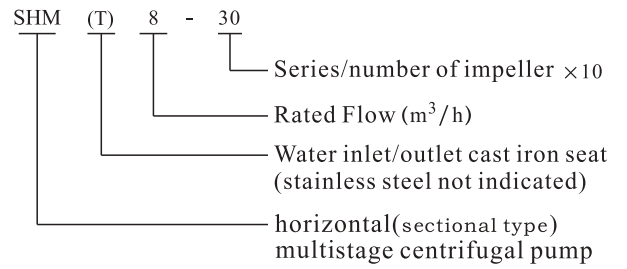


Stainless Steel Horizontal Multistage Pump — SHM(T)12

Performance Curves



SHM/SHMT

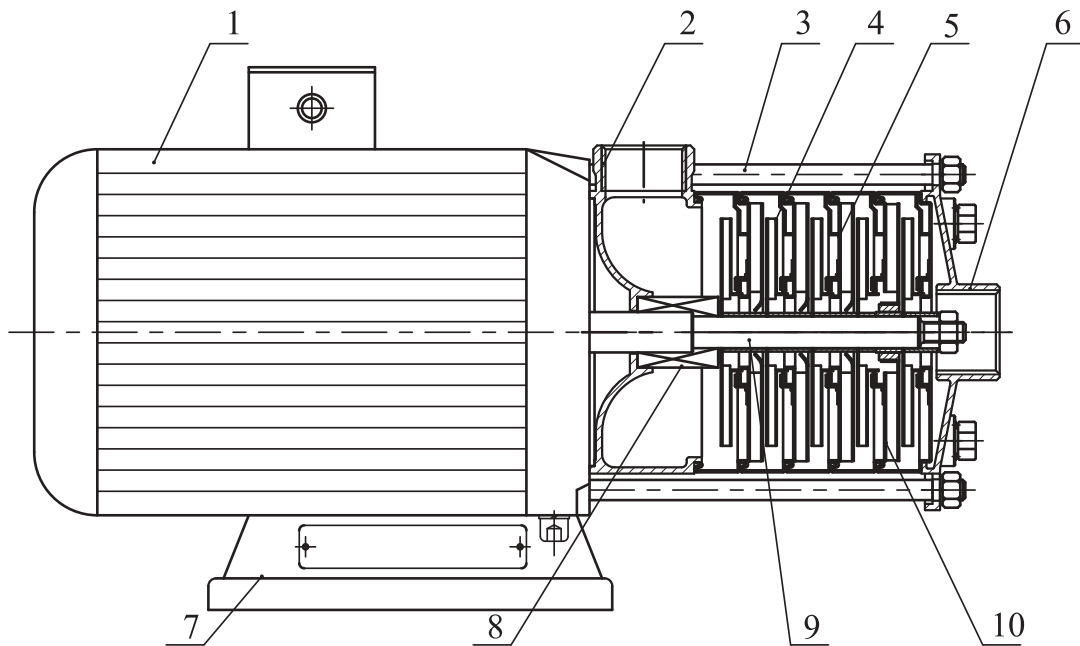


Dimension & Weight

Motor	Model	Specification (mm)								Net Weight (kg)
		L	L1	L2	L3	H	H1	H2	D	
Three phase /Single phase	SHM(T)12-20	395	/100	126	108	230/265	118	228	170	21
	SHM(T)12-30	460	/100	156	138	240/270	118	228	180	25
	SHM(T)12-40	490	/100	186	168	240/270	118	228	180	29
	SHM(T)12-50	555		216	198	270/	126	240	195	34

Stainless Steel Horizontal Multistage Pump — SHM(T)12

Structure chart:SHM



Material:SHM

NO	Description	Material	AISI/ASTM	NO	Description	Material	AISI/ASTM
1	Motor	Assembling unit		6	Inlet seat	Stainless	AISI304
2	Outlet seat	Stainless steel	AISI304	7	Base plate	Steel	AISI11015
3	Tie rod	Stainless steel	AISI304	8	Mechanical seal	Assembling unit	
4	Impeller	Stainless steel	AISI304	9	Shaft	Stainless	AISI304
5	Diffuser	Stainless steel	AISI304	10	Support diffuser.	Stainless	AISI304