

Stainless Steel Horizontal Multistage Pump – 60Hz – CM8

Applications

- Air-conditioning system
- Cooling system
- Washing and cleaning system
- Water treatment
- Aquaculture
- Fertilizing / metering system
- Environmental application

Motor

- Fitted with a totally enclosed, fan-cooled
- Enclosure class: IP 55
- Insulation class: F
- Standard voltage: 1x220-230/240V (50Hz)
- 3x200-220/346-380V
- 3x220-240/380-415V
- 3x220-255/380-440V

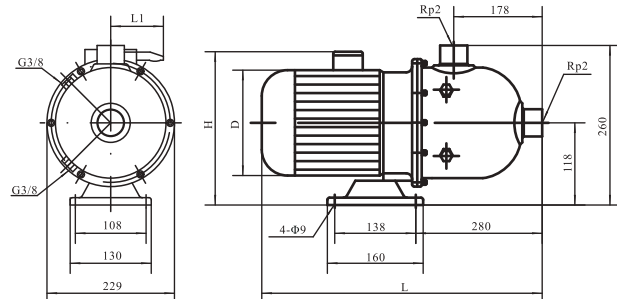


Operation conditions

- Liquid Temperature:
 - Normal temperature: -15°C~+70°C
 - Hot water: -15°C~+105°C
- Environment Temperature: Max. 40°C
- Altitude: Max. 1000m
- Operation pressure: Max. 10 bar

Material

- Inlet & outlet chamber: Cast iron/Stainless steel (304/316)
- Impeller: Stainless steel (304/316)
- Shell: Stainless steel (304/316)
- Shaft: Stainless steel (304/316)
- Mechanical seal: Graphite / SIC

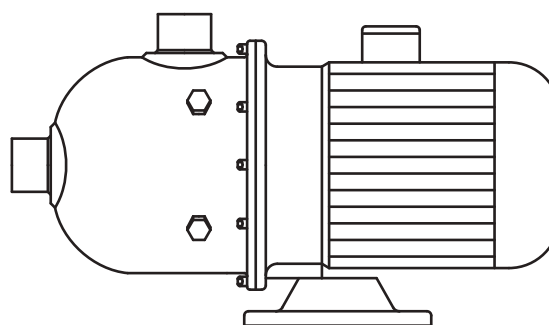
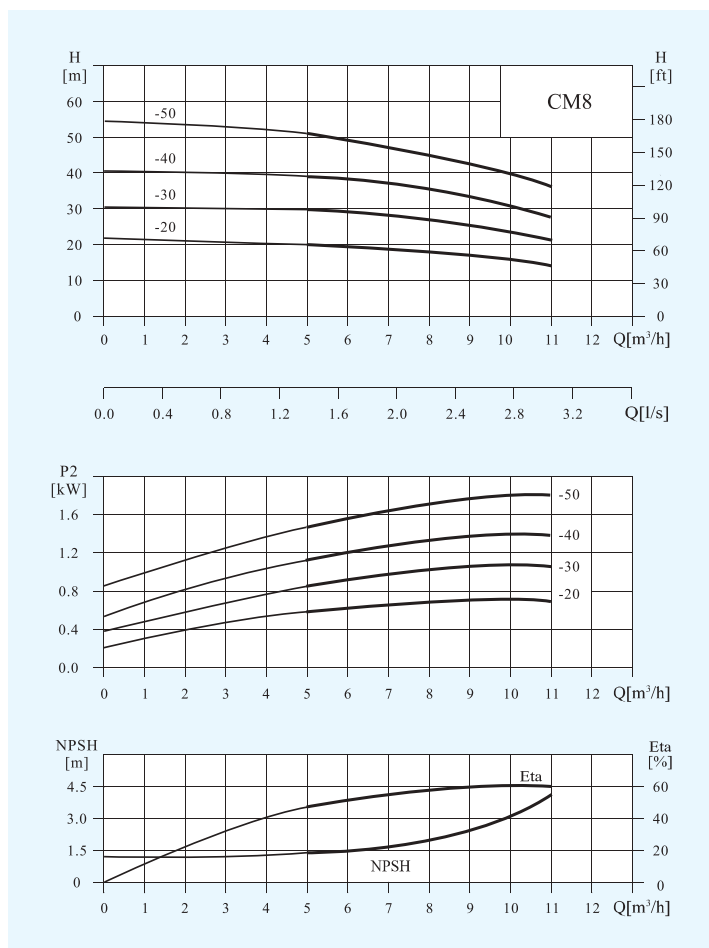


Performance table

Model	Driving motor		Q (m ³ /h)	6	7	8	9	10	11	12	13
	(kW)	(hp)									
CM8-10	0.75	1	H (m)	14	13	12	11.5	11	10	9	8
CM8-20	1.5	2		27	26	25	24	23	21	19	16
CM8-30	2.2	3		41	40	39	37	34	33	29	25
CM8-40	3	4		55	54	52	50	45	43	39	33
CM8-50	3	4		69	67	65	62	55	53	49	40

Stainless Steel Horizontal Multistage Pump — 60Hz — CM8

Performance Curves



CM

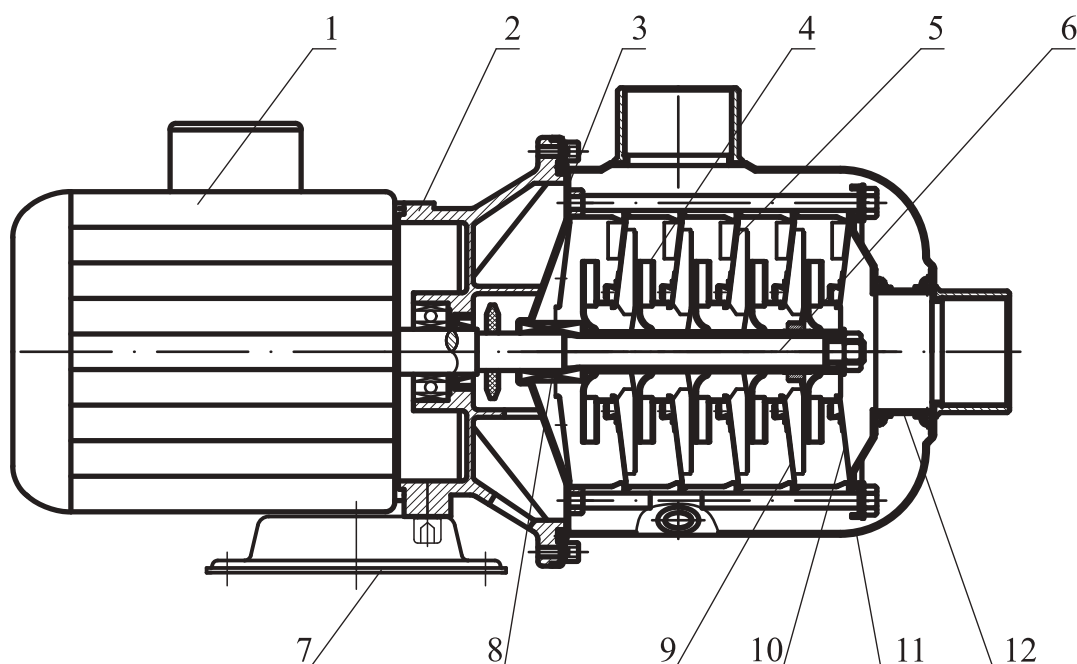
CM 4 - 40
 — Series/number of impeller × 10
 — Rated Flow (m³/h)
 — horizontal multistage centrifugal pump
 (Wet parts component made of SS 304 -316L)

Size and weight

Motor	Model	Size (mm)						Weight (kg)
		L1	H	N	D	E	K	
Three-phase/ single-phase	CM8-10	560	230/265	117	160	263	/100	20
	CM8-20	580	230/270	118	170	264	/100	25
	CM8-30	580	230/270	118	180	264	/100	25
	CM8-40	610	270/	128	195	274		30
	CM8-50	610	270/	128	195	274		30

Stainless Steel Horizontal Multistage Pump — 60Hz — CM8

Structure chart:CM



Material CM

No.	Name	Material	AISI / ASTM
1	Inlet and outlet chamber	Stainless steel	AISI304
2	Connection pipe	Stainless steel	AISI304
3	Clamp plate	Stainless steel	AISI304
4	Impeller	Stainless steel	AISI304
5	Shaft	Stainless steel	AISI304
6	Plug	Stainless steel	AISI304
7	Discharge diffuser	Stainless steel	AISI304
8	Mechanical seal		
9	Motor end cover	Aluminum alloy	
10	Base plate	Cast iron	ASTM25B
11	Spannband	Stainless steel	AISI304
12	Diffuser	Stainless steel	AISI304
13	Support diffuser	Stainless steel	AISI304
14	Inducer	Stainless steel	AISI304