

# Stainless Steel Horizontal Multistage Pump — CM8

## Applications

- Air-conditioning system
- Cooling system
- Washing and cleaning system
- Water treatment
- Aquaculture
- Fertilizing / metering system
- Environmental application

## Motor

- Fitted with a totally enclosed, fan-cooled
- Enclosure class: IP 55
- Insulation class: F
- Standard voltage: 1x220-230/240V (50Hz)
- 3x200-220/346-380V
- 3x220-240/380-415V
- 3x220-255/380-440V

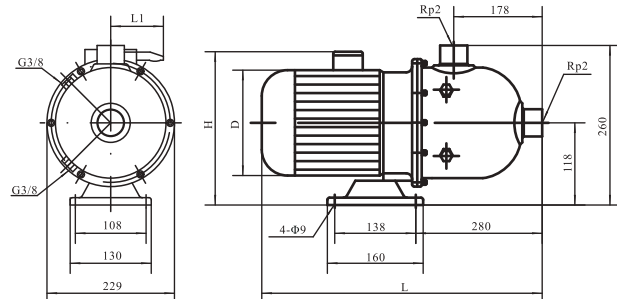


## Operation conditions

- Liquid Temperature:
  - Normal temperature: -15°C~+70°C
  - Hot water: -15°C~+105°C
- Environment Temperature: Max. 40°C
- Altitude: Max. 1000m
- Operation pressure: Max. 10 bar

## Material

- Inlet & outlet chamber: Cast iron/Stainless steel (304/316)
- Impeller: Stainless steel (304/316)
- Shell: Stainless steel (304/316)
- Shaft: Stainless steel (304/316)
- Mechanical seal: Graphite / SIC

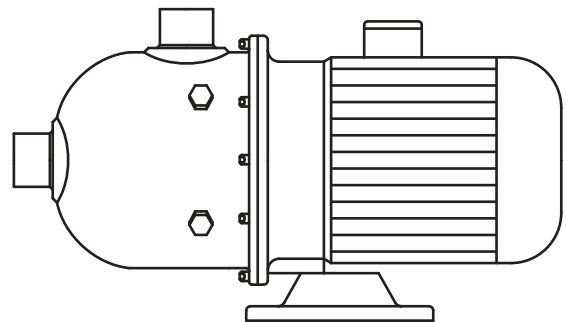
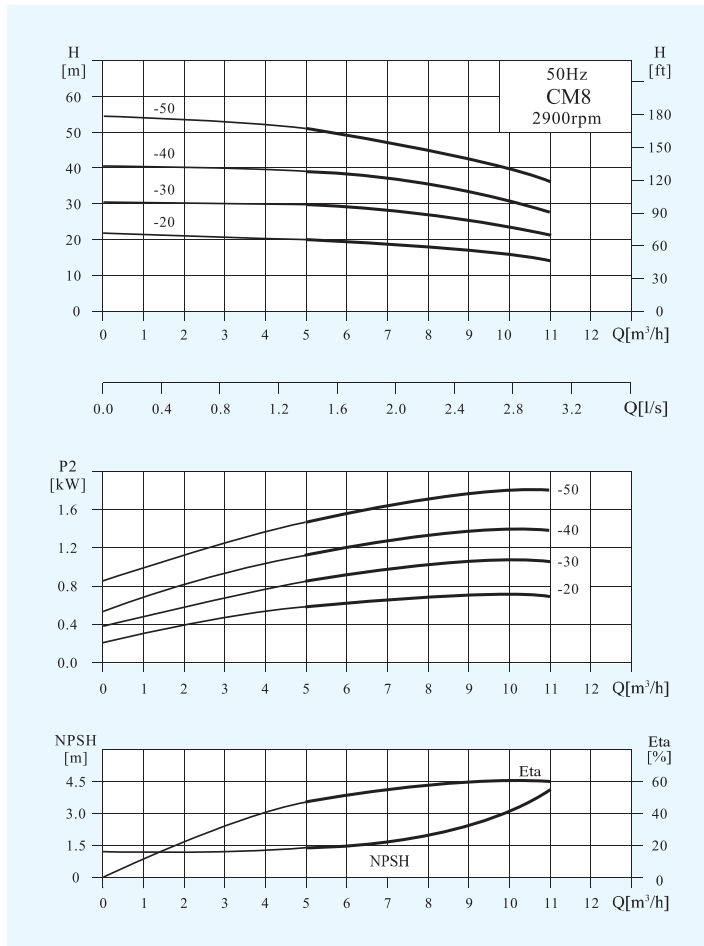


## Performance Table

Model	Associated motor		Q (m <sup>3</sup> /h)	5	6	7	8	9	10	11
	(kW)	(hp)								
CM8-20	0.75	1	H (m)	19.5	19	18.5	17.5	16.5	15	13.5
CM8-30	1.1	1.5		29	28.5	27.5	26.5	24	22	20
CM8-40	1.5	2		39	38	36.5	35	32	29.5	26
CM8-50	2.2	3		50.5	49	46.5	44	41	38	33

# Stainless Steel Horizontal Multistage Pump — CM8

## Performance Curves



## CM

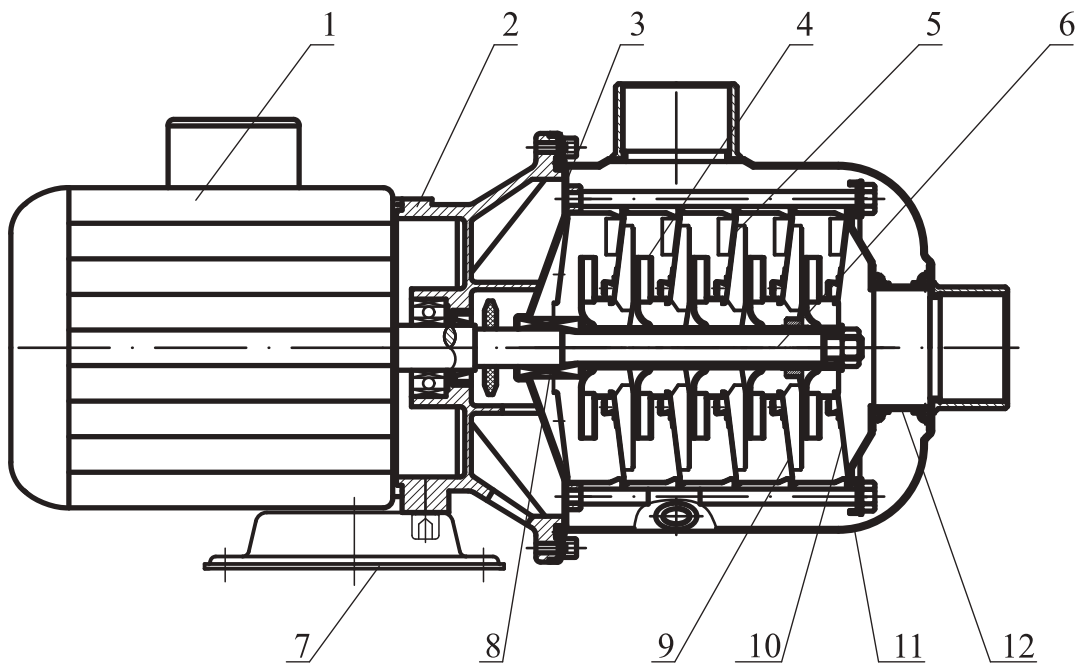
CM    4    -    40  
 └──────────┬──────────┬──────────┘  
 horizontal multistage centrifugal pump  
 (Wet parts component made of SS 304 -316L)  
 └──────────┬──────────┬──────────┘  
 Series/number of impeller × 10  
 Rated Flow (m³/h)

## Dimension&Weight

Motor	Model	Specification (mm)				Net Weight(kg)
		L	D	H	L1	
Three phase /Single phase	CM8-20	560	170	230/265	/100	20
	CM8-30	560	170	230/265	/100	23
	CM8-40	580	180	240/270	/100	25
	CM8-50	580	180	240/270	/100	29

# Stainless Steel Horizontal Multistage Pump CM8

## Structure chart:CM



## Material:CM

No	Description	Material	AISI/ASTM	No	Description	Material	AISI/ASTM
1	Motor	Assembling unit		7	Seat	Steel	AISI1015
2	Motor front housing	Aluminium alloy		8	Mechanical seal	Assembling unit	
3	Seal seat	Stainless steel	AISI304	9	Support diffuser	Stainless steel	AISI304
4	Impeller	Stainless steel	AISI304	10	Inlet diffuser	Stainless steel	AISI304
5	Diffuser	Stainless steel	AISI304	11	Casing	Stainless steel	AISI304
6	Shaft	Stainless steel	AISI304	12	Inlet pipeline	Stainless steel	AISI304