

Stainless Steel Horizontal Multistage Pump CM2

Applications

- Air-conditioning system
- Cooling system
- Washing and cleaning system
- Water treatment
- Aquaculture
- Fertilizing / metering system
- Environmental application

Motor

- Fitted with a totally enclosed, fan-cooled
- Enclosure class: IP 55
- Insulation class: F
- Standard voltage: 1x220-230/240V (50Hz)
- 3x200-220/346-380V
- 3x220-240/380-415V
- 3x220-255/380-440V

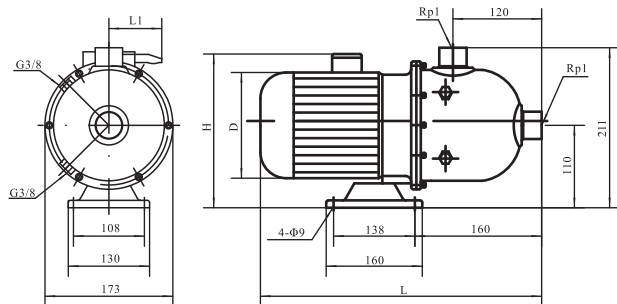


Operation conditions

- Liquid Temperature:
 - Normal temperature: -15°C~+70°C
 - Hot water: -15°C~+105°C
- Environment Temperature: Max. 40°C
- Altitude: Max. 1000m
- Operation pressure: Max. 10 bar

Material

- Inlet & outlet chamber: Cast iron/Stainless steel (304/316)
- Impeller: Stainless steel (304/316)
- Shell: Stainless steel (304/316)
- Shaft: Stainless steel (304/316)
- Mechanical seal: Graphite / SIC

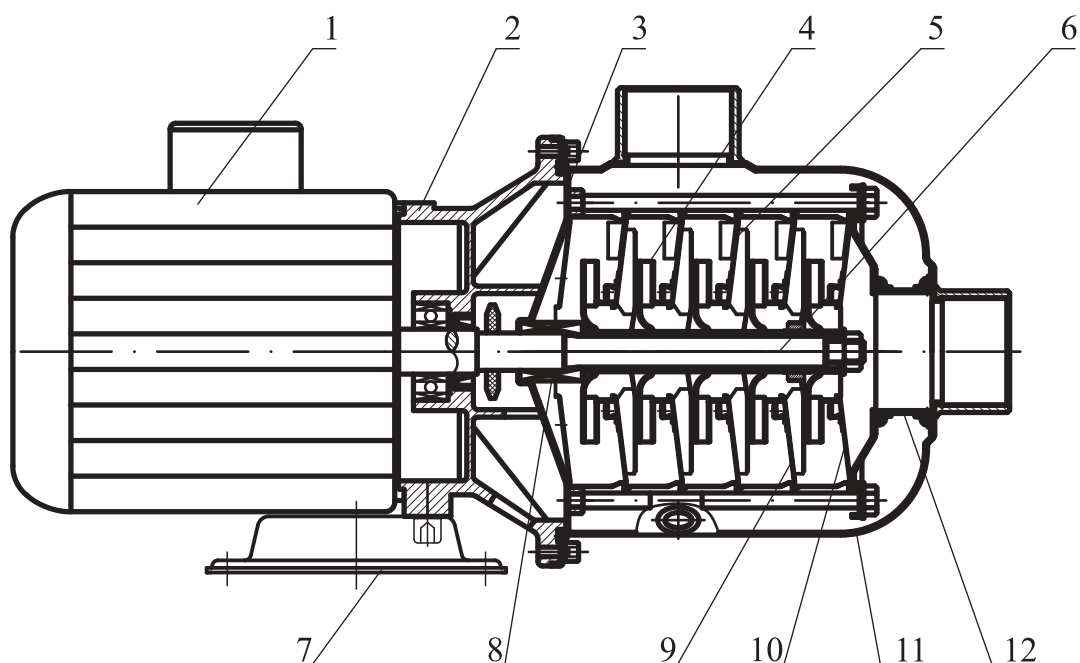


Performance Table

Model	Associated motor		Q (m ³ /h)	0.6	1.2	1.6	2	2.4	2.8	3.2
	(kW)	(hp)								
CM2-20	0.37	0.5	H (m)	18.6	17.6	16	15	13.5	10.6	9.3
CM2-30	0.37	0.5		27.7	26	24	22	19.5	16.5	13.5
CM2-40	0.55	0.75		35.7	34	32	29	25.5	23.5	19
CM2-50	0.55	0.75		45	42	39	36	33	28	24.5
CM2-60	0.75	1		53	50	47.5	43.5	39	34	29.5

Stainless Steel Horizontal Multistage Pump CM2

Structure chart:CM



Material:CM

No	Description	Material	AISI/ASTM	No	Description	Material	AISI/ASTM
1	Motor	Assembling unit		7	Seat	Steel	AISI1015
2	Motor front housing	Aluminium alloy		8	Mechanical seal	Assembling unit	
3	Seal seat	Stainless steel	AISI304	9	Support diffuser	Stainless steel	AISI304
4	Impeller	Stainless steel	AISI304	10	Inlet diffuser	Stainless steel	AISI304
5	Diffuser	Stainless steel	AISI304	11	Casing	Stainless steel	AISI304
6	Shaft	Stainless steel	AISI304	12	Inlet pipeline	Stainless steel	AISI304