

Stainless Steel Horizontal Multistage Pump — CM20

Applications

- Air-conditioning system
- Cooling system
- Washing and cleaning system
- Water treatment
- Aquaculture
- Fertilizing / metering system
- Environmental application

Motor

- Fitted with a totally enclosed, fan-cooled
- Enclosure class: IP 55
- Insulation class: F
- Standard voltage: 1x220-230/240V (50Hz)
 - 3x200-220/346-380V
 - 3x220-240/380-415V
 - 3x220-255/380-440V

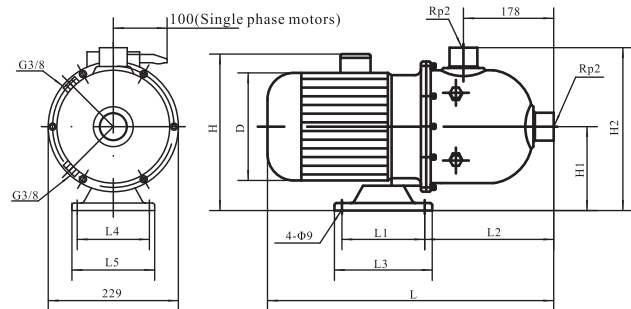


Operation conditions

- Liquid Temperature:
 - Normal temperature: -15°C~+70°C
 - Hot water: -15°C~+105°C
- Environment Temperature: Max. 40°C
- Altitude: Max. 1000m
- Operation pressure: Max. 10 bar

Material

- Inlet & outlet chamber: Cast iron/Stainless steel (304/316)
- Impeller: Stainless steel (304/316)
- Shell: Stainless steel (304/316)
- Shaft: Stainless steel (304/316)
- Mechanical seal: Graphite / SIC

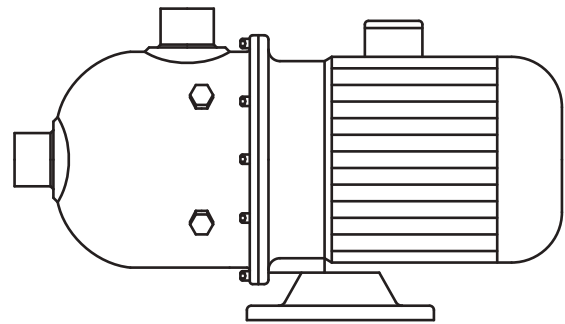
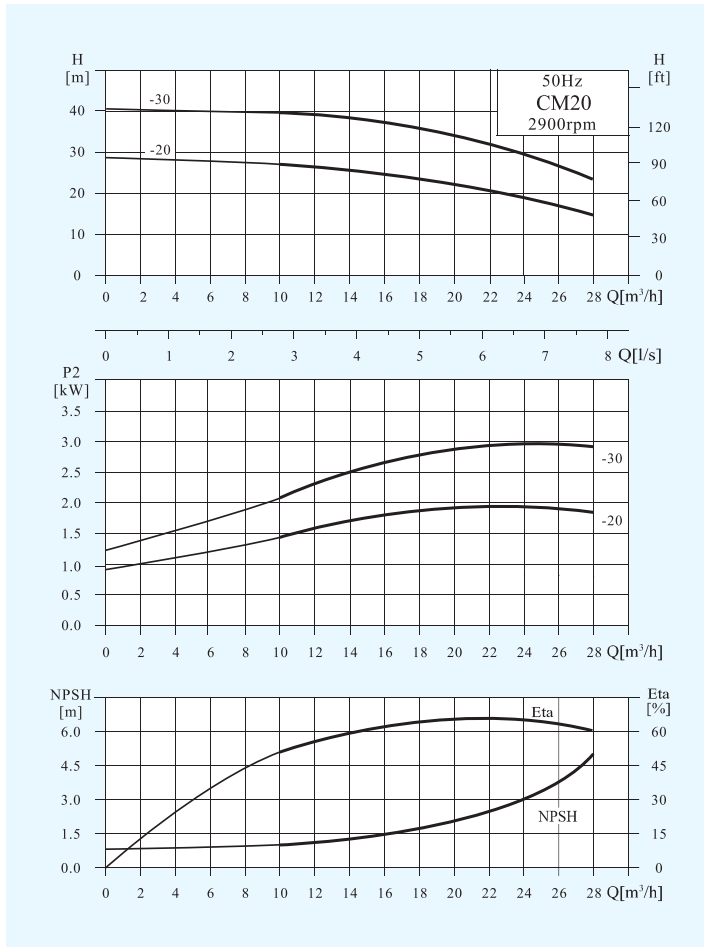


Performance Table

Model	Associated motor		Q (m ³ /h)	10	14	16	18	20	22	24	28
	(kW)	(hp)									
CM20-20	2.2	3	H (m)	27	25.5	25	23.5	22	20.5	18.5	14.5
CM20-30	4	5.5		39.5	38	37.5	35.5	34	31	29	23

Stainless Steel Horizontal Multistage Pump — CM20

Performance Curves



CM

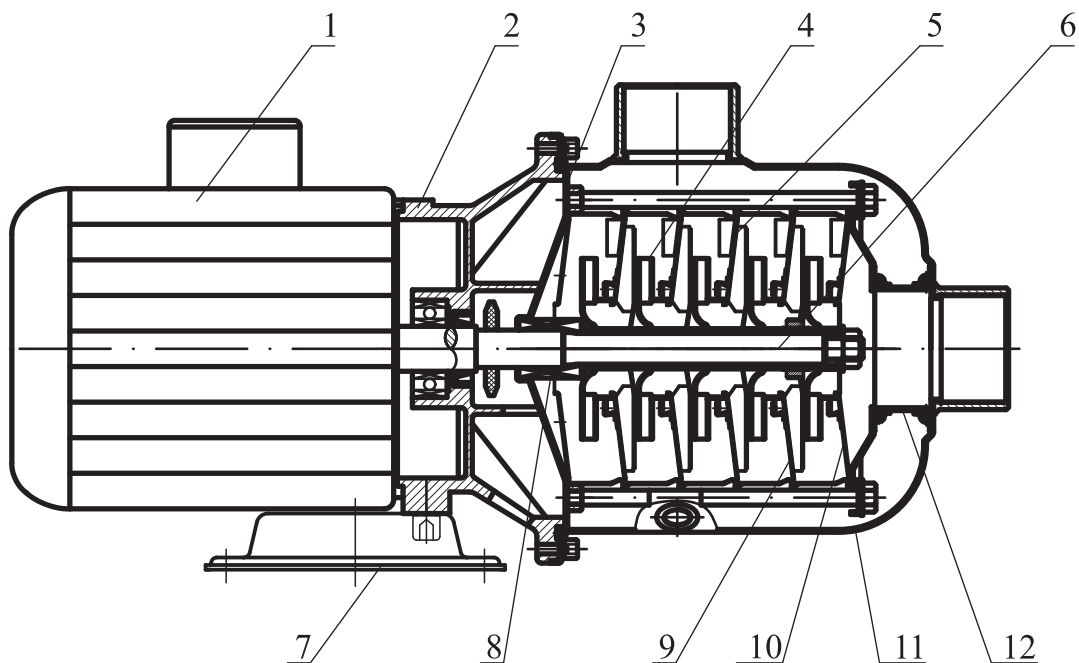
CM 4 - 40
 — Series/number of impeller × 10
 — Rated Flow (m³/h)
 — horizontal multistage centrifugal pump
 (Wet parts component made of SS 304 -316L)

Dimension & Weight

Motor	Specification (mm)											Net Weight (kg)
	L	L1	L2	L3	L4	L5	Hthree phase	Hsingle phase	H1	H2	D	
CM20-20	580	138	280	160	108	130	240	270	118	260	180	28
CM20-30	650	140	360	170	190	230	270		120	262	220	41

Stainless Steel Horizontal Multistage Pump — CM20

Structure chart:CM



Material:CM

No	Description	Material	AISI/ASTM	No	Description	Material	AISI/ASTM
1	Motor	Assembling unit		7	Seat	Steel	AISI1015
2	Motor front housing	Aluminium alloy		8	Mechanical seal	Assembling unit	
3	Seal seat	Stainless steel	AISI304	9	Support diffuser	Stainless steel	AISI304
4	Impeller	Stainless steel	AISI304	10	Inlet diffuser	Stainless steel	AISI304
5	Diffuser	Stainless steel	AISI304	11	Casing	Stainless steel	AISI304
6	Shaft	Stainless steel	AISI304	12	Inlet pipeline	Stainless steel	AISI304