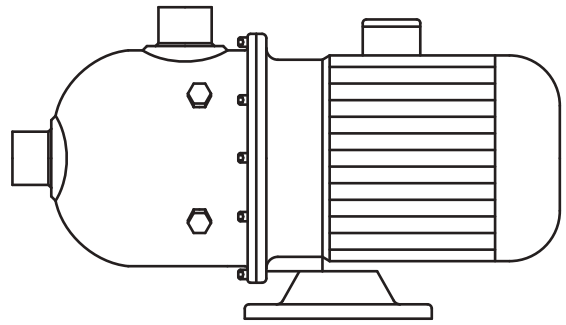
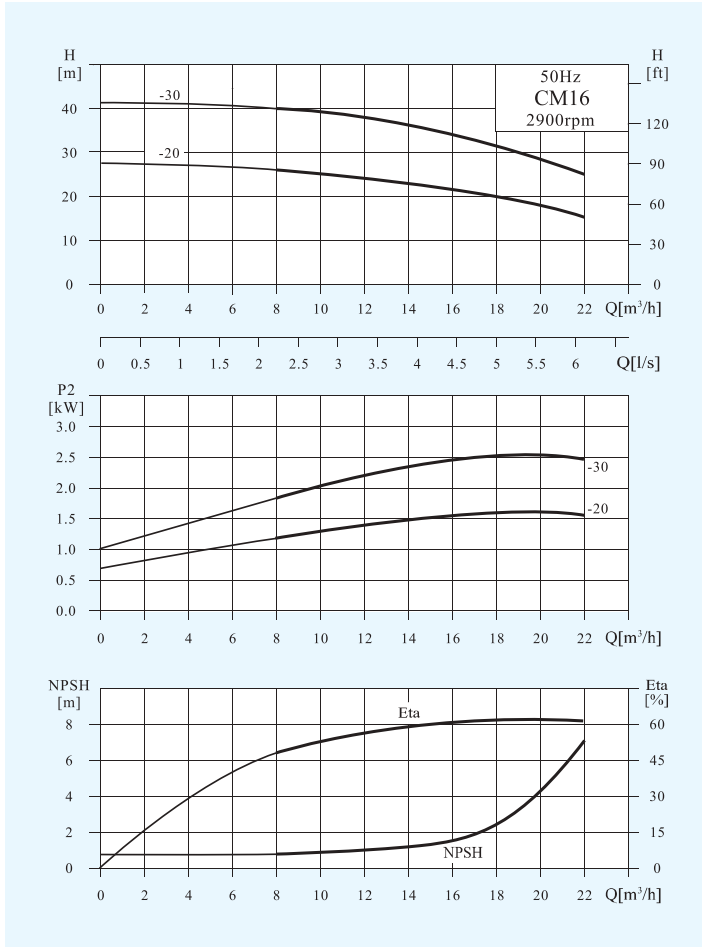


Stainless Steel Horizontal Multistage Pump — CM16

Performance Curves



CM

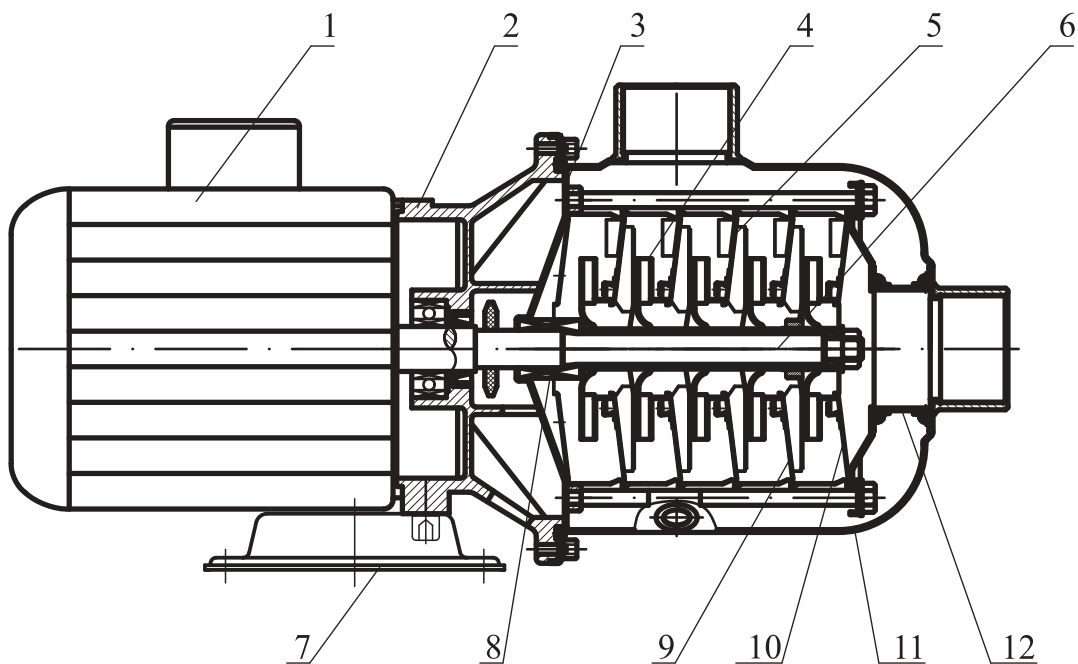
CM 4 - 40
 — Series/number of impeller × 10
 — Rated Flow (m³/h)
 — horizontal multistage centrifugal pump
 (Wet parts component made of SS 304 -316L)

Dimension&Weight

Motor	Model	Specification (mm)							Net Weight (kg)
		L	L1	L2	H	H1	H2	D	
Three phase /Single phase	CM16-20	580	/100	280	240/270	118	260	180	26
	CM16-30	610		270	270/	126	268	195	33

Stainless Steel Horizontal Multistage Pump CM16

Structure chart:CM



Material:CM

No	Description	Material	AISI/ASTM	No	Description	Material	AISI/ASTM
1	Motor	Assembling unit		7	Seat	Steel	AISI1015
2	Motor front housing	Aluminium alloy		8	Mechanical seal	Assembling unit	
3	Seal seat	Stainless steel	AISI304	9	Support diffuser	Stainless steel	AISI304
4	Impeller	Stainless steel	AISI304	10	Inlet diffuser	Stainless steel	AISI304
5	Diffuser	Stainless steel	AISI304	11	Casing	Stainless steel	AISI304
6	Shaft	Stainless steel	AISI304	12	Inlet pipeline	Stainless steel	AISI304