

# Stainless Steel Horizontal Multistage Pump — CM12

## Applications

- Air-conditioning system
- Cooling system
- Washing and cleaning system
- Water treatment
- Aquaculture
- Fertilizing / metering system
- Environmental application

## Motor

- Fitted with a totally enclosed, fan-cooled
- Enclosure class: IP 55
- Insulation class: F
- Standard voltage: 1x220-230/240V (50Hz)
  - 3x200-220/346-380V
  - 3x220-240/380-415V
  - 3x220-255/380-440V

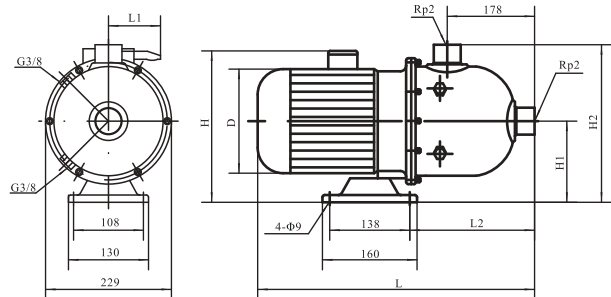


## Operation conditions

- Liquid Temperature:
  - Normal temperature: -15°C~+70°C
  - Hot water: -15°C~+105°C
- Environment Temperature: Max. 40°C
- Altitude: Max. 1000m
- Operation pressure: Max. 10 bar

## Material

- Inlet & outlet chamber: Cast iron/Stainless steel (304/316)
- Impeller: Stainless steel (304/316)
- Shell: Stainless steel (304/316)
- Shaft: Stainless steel (304/316)
- Mechanical seal: Graphite / SIC

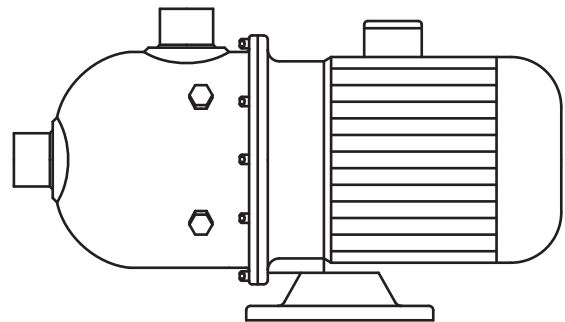
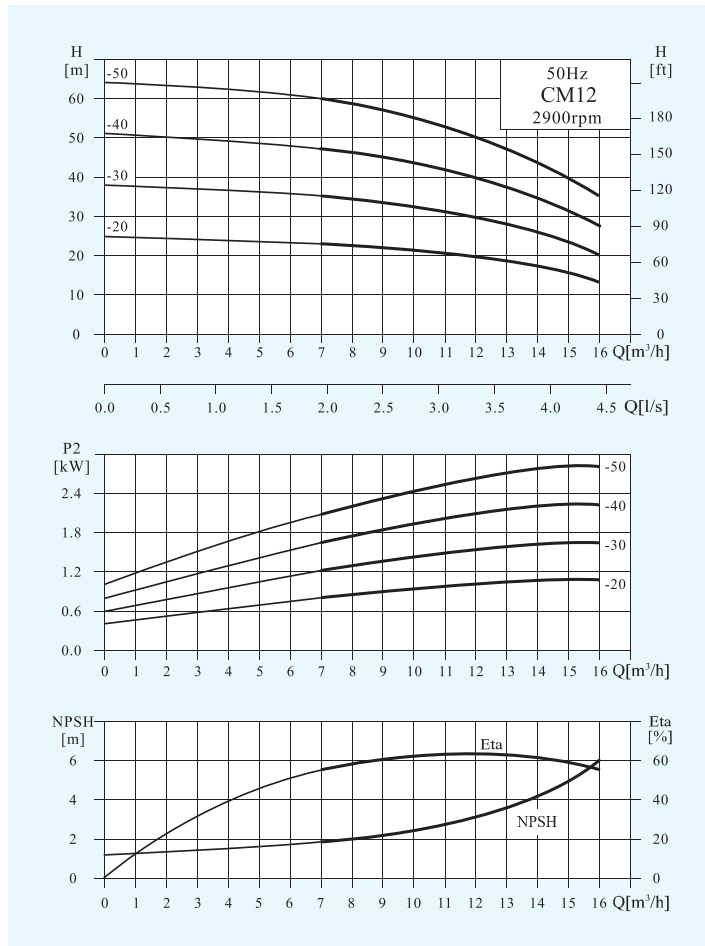


## Performance Table

Model	Associated motor		Q (m <sup>3</sup> /h)	7	9	11	12	13	15	16
	(kW)	(hp)								
CM12-20	1.2	1.6	H (m)	23	22	20.5	19.5	18.5	15.5	13
CM12-30	1.8	2.4		35	33.5	31	29.5	28	23.5	20
CM12-40	2.4	3.3		47	45	41.5	39.5	37.5	31.5	27.5
CM12-50	3	4		60	56.5	52.5	50	47	40	35

# Stainless Steel Horizontal Multistage Pump — CM12

## Performance Curves



## CM

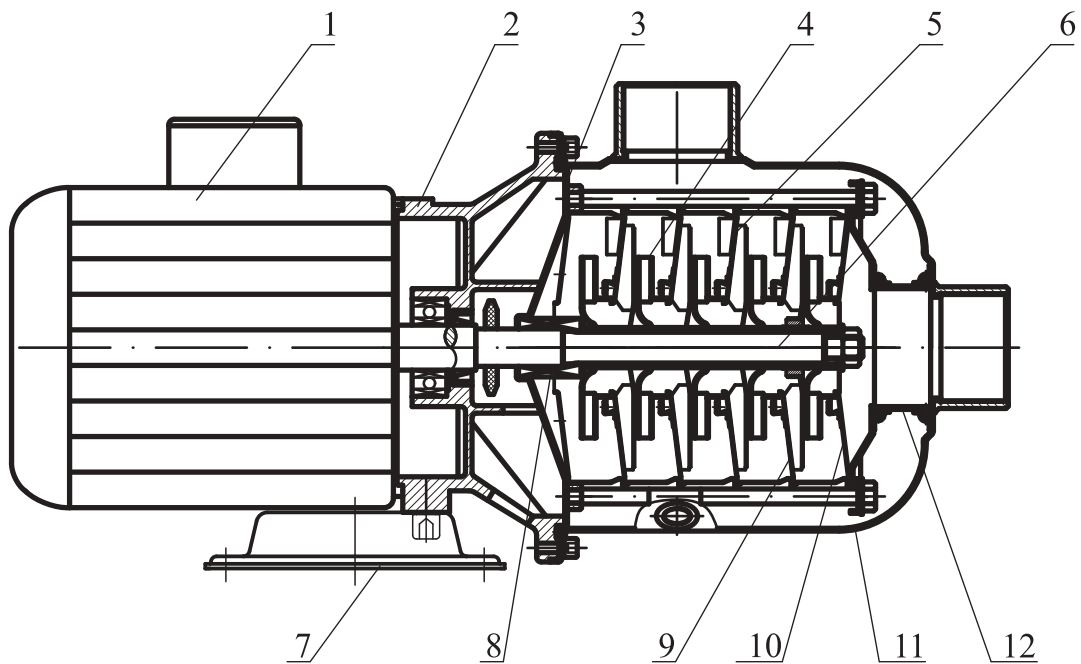
CM 4 - 40  
 — Series/number of impeller × 10  
 — Rated Flow (m<sup>3</sup>/h)  
 — horizontal multistage centrifugal pump  
 (Wet parts component made of SS 304 -316L)

## Dimension&Weight

Motor	Model	Specification (mm)							Net Weight (kg)
		L	L1	L2	H	H1	H2	D	
Three phase /Single phase	CM12-20	560	/100	280	230/265	118	260	170	21
	CM12-30	580	/100	280	240/270	118	260	170	25
	CM12-40	580	/100	280	240/270	118	260	180	28
	CM12-50	610		270	270/	126	268	180	33

# Stainless Steel Horizontal Multistage Pump CM12

## Structure chart:CM



## Material:CM

No	Description	Material	AISI/ASTM	No	Description	Material	AISI/ASTM
1	Motor	Assembling unit		7	Seat	Steel	AISI1015
2	Motor front housing	Aluminium alloy		8	Mechanical seal	Assembling unit	
3	Seal seat	Stainless steel	AISI304	9	Support diffuser	Stainless steel	AISI304
4	Impeller	Stainless steel	AISI304	10	Inlet diffuser	Stainless steel	AISI304
5	Diffuser	Stainless steel	AISI304	11	Casing	Stainless steel	AISI304
6	Shaft	Stainless steel	AISI304	12	Inlet pipeline	Stainless steel	AISI304